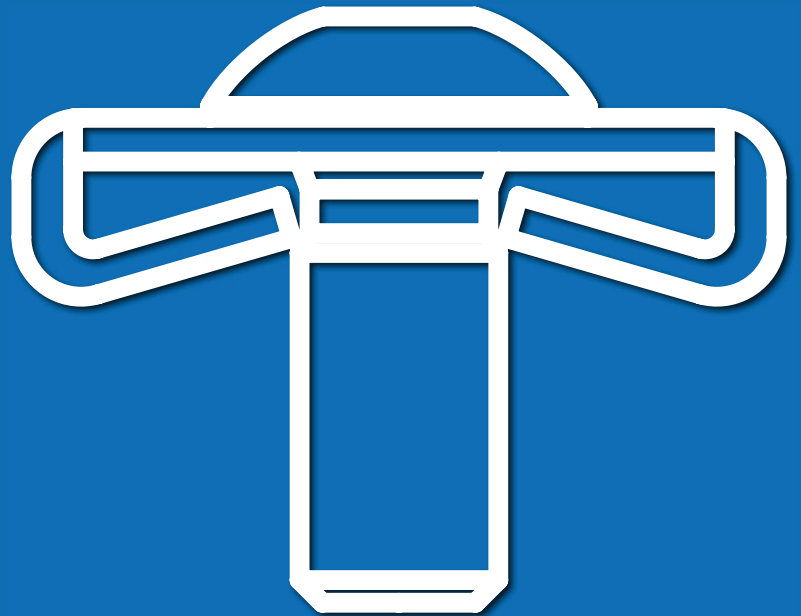
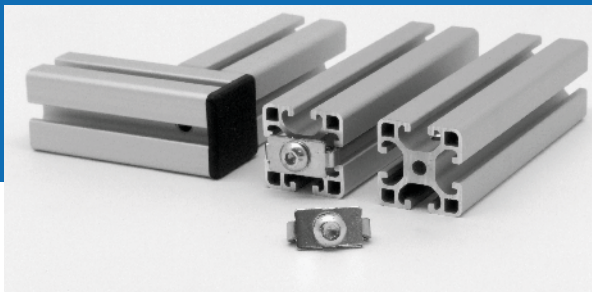


CONNECTION TECHNOLOGY





STANDARD-FASTENERS			
ITEM	Description	Order No.	Drawing
	Right-angled and frictional connection for high capacities. The standard fastening sets allows for optimum force transmission and secures the connection against twisting. Connection processing (details see chapter processing)		
Standard-fastening set 5, galvanised	<p>Standard connector sheet 5, St, galvanised Button-head screw ISO 7380-M5x12 St, galvanised M = 4,5 Nm m = 4,0 g</p>	ZP5-SZ	
Standard- fastener 5, galvanised			
	Standard connector sheet 5, St, galvanised M = 4,5 Nm m = 1,5 g		
Standard-fastening set 6, galvanised	<p>Standard connector sheet 6, St, galvanised Button-head screw ISO 7380-M6x14, St M = 10,0 Nm m = 10,5 g</p>	ZP6-SZ	
Standard-fastener 6, galvanised			
	Standard connector sheet 6, St galvanised M = 10,0 Nm m = 6,5 g		




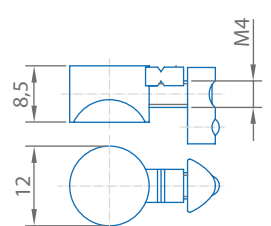

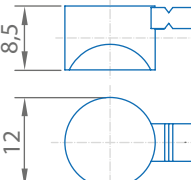

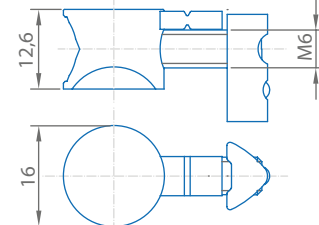

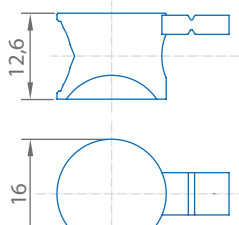
STANDARD- FASTENERS			
ITEM	Description	Order No.	Drawing
Standard-fastening set 8, galvanised			
	Standard connector sheet 8, galvanised Button-head screw with shaft ISO 7380- M8x20, St M = 25,0 Nm m = 20,5 g	ZP8-SZ	
Standard-fastener 8, galvanised			
	Standard connector sheet 8, galvanised Button-head screw with shaft ISO 7380- M8x20, St M = 25,0 Nm m = 20,5 g	ZP8	
	Highly loadable right-angled and non-positive connection. The standard fastener guarantees an optimal application of force and secures the connection against damage. Spikes on the standard fastener break open the anodised layer of the inserted profiles and create a safe, electrically conductive connection.		
Standard-fastener 8 ESD, galvanised			
	Standard connector sheet 8 ESD, St, galvanised M = 25,0 Nm m = 18,5 g	ZP8-ESD	
	Highly loadable right-angled and non-positive connection. The standard fastener guarantees an optimal application of force and secures the connection against damage. The used stainless steel (A2) provides corrosion protection in wet and outdoor areas.		
Standard-fastening set 8, stainless			
	Standard connector sheet 8, stainless steel, stainless M = 20,0 Nm m = 18,0 g	ZP8-SZ-R	



STANDARD-FASTENERS			
ITEM	Description	Order no.	Drawing
	<p>Right-angled and frictional connection for high capacities. The standard fastening sets allows for optimum force transmission and secures the connection against twisting. Connection processing (details see chapter processing)</p>		
<p>Standard-fastener 8 one-sided, galvanised</p>	<p>Standard connector sheet 8, St, galvanised $M = 25,0 \text{ Nm}$ $m = 7,0 \text{ g}$</p>	<p>ZP8-ES</p>	
<p>Standard-fastener 8 without nose</p>	<p>Standard connector sheet 8, St, galvanised $M = 25,0 \text{ Nm}$ $m = 5,5 \text{ g}$</p>	<p>ZP8-ON</p>	
	<p>The standard fastening set 8 K is used when surface elements are inserted into the profile groove. The fastener offers the advantage, that additional recesses in surfaces can be omitted. The maximum tightening torque of the connector is 25,0 Nm. As supply bore for access to the screw head is recommended at a distance of 20,0 mm a bore of $D = 7,0 \text{ mm}$ (see DL-B-D7 = connection machining bore).</p>		
<p>Standard-fastening set 8 K</p>	<p>Spacer, POM, black incl. washer, St, galvanised Button-head screw ISO 7380-M8x20, galvanised $m = 12,0 \text{ g}$</p>	<p>SV-8-K-SZ</p>	



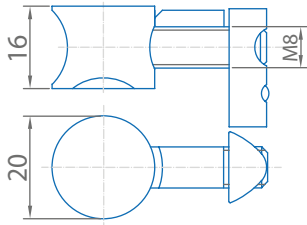


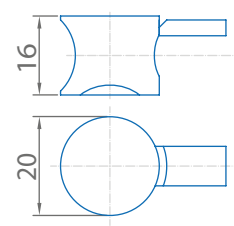


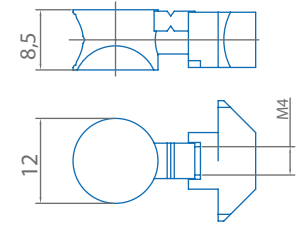


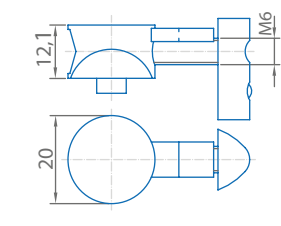


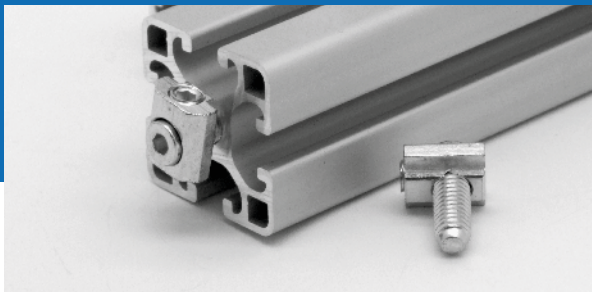
UNIVERSAL-FASTENING SET

ITEM	Description	Order no.	Drawing
<div style="display: flex; align-items: center;"> <div style="border: 1px solid black; padding: 2px; margin-right: 10px;">5</div> <div>Frictional, right-angled connection with the option of adjusting the profile struts at a later time. Perfect for installing profiles into existing constructions. The connector can be quickly mounted using a drill. Connection processing (details see chapter processing)</div> </div>			
Universal-fastening set 5 	Universal-fastening set 5, die-cast zinc, galvanised Hexagon socket DIN 912-M4x14, St, galvanised T-slot 5 St M4, galvanised M = 3,0 Nm m = 7,5 g	UV5-SZ	
Universal-fastener 5 	Universal-fastener 5, die-cast zinc, galvanised M = 3,0 Nm m = 3,5 g	UV5	
<div style="display: flex; align-items: center;"> <div style="border: 1px solid black; padding: 2px; margin-right: 10px;">6</div> <div></div> </div>			
Universal-fastening set 6, galvanised 	Universal-fastening set 6, die-cast zinc, galvanised Button-head screw ISO 7380-M6x22, St, galvanised T-slot 6 St M6, galvanised M = 8,0 Nm m = 18,5 g	UV6-SZ	
Universal-fastener 6, galvanised 	Universal-fastener 6, die-cast zinc, galvanised M = 8,0 Nm m = 9,0 g	UV6	

Connection technology



UNIVERSAL-FASTENING SET			
ITEM	Description	Order no.	Drawing
	Right-angled and frictional connection for high capacities. The standard fastening sets allows for optimum force transmission and secures the connection against twisting. Connection processing (details see chapter processing)		
Universal-fastening set 8, galvanised 	Universal-fastening set 8, die-cast zinc, galvanised Button-head-screw ISO 7380-M8x30, St, galvanised T-slot 8 St M8, galvanised M = 25,0 Nm m = 42,0 g	UV8-SZ	
Universal-fastening set 8, stainless 	Universal-fastening set 8, die-cast zinc, galvanised Button-head-screw ISO 7380-M8x30 (A2) T-Slot 8 St M8 (A2) M = 20,0 Nm m = 41,0 g	UV8-SZ-R	
Universal-fastener 8 	Universal-fastener 8, die-cast zinc, galvanised M = 25,0 Nm m = 17,5 g	w	
			
Universal-fastening set 5/8, galvanised 	Universal-fastening set 5, die-cast zinc, galvanised Hexagon socket DIN 912-M4x18 St, galvanised T-slot 8 Zn M4 M = 3,0 Nm m = 9,0 g	UV5-8-SZ	
			
Pneumatic-universal-fastening set 8 	Pneumatic-universal-fastening set 8, die-cast zinc, galvanised Hexagon socket DIN 912-M6x30, St, galvanised T-slot 8 St M6, galvanised M = 14,0 Nm m = 34,0 g	PUV8-SZ	



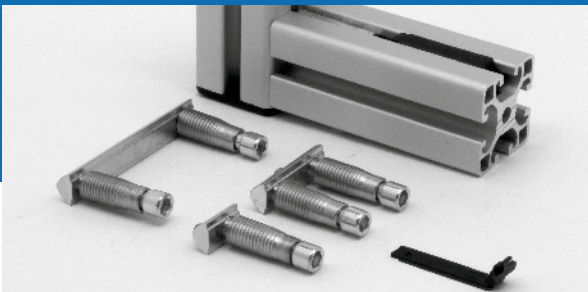
DIRECT-FASTENING SET			
ITEM	Description	Order no.	Drawing
	The connector enables a right-angled connection of profiles. The profile strut can be rotated and affixed in any way.		
Direct-fastening set 90° central			
	<p>Fastener, St, galvanised Connection processing: Thread M8x20 (Core hole) M = 8,0 Nm m = 18,0 g</p>	DV-90-Z	



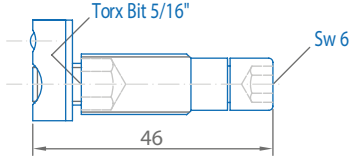
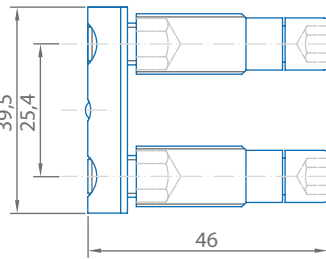
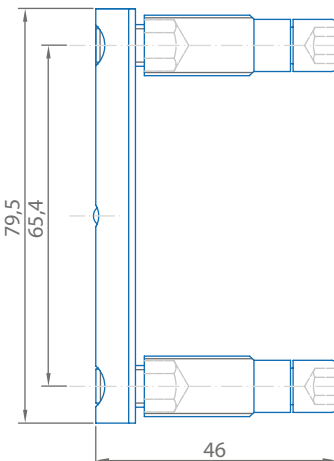




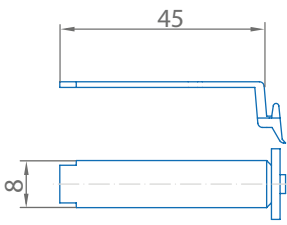
Connection
technology

CUBE CONNECTOR			
ITEM	Description	Order no.	Drawing
	Cube connectors allow up to three profiles to be screwed together for corner connections. They are particularly suitable for showcases, covers and lightweight constructions. Connection machining: thread M8x25 (core hole). The aluminium-coloured design of the base body and the cover caps provides a particularly noble optics. In order to achieve fatigue strength, locking varnish should be used for the fastening screws. For fastening 3 M8x20 countersunk screws are required. Cube connectors cannot be used in combination with closed grooves.		
Cube connector 8 40 - 3D			
	<p>Material: Die-cast aluminium Surface: white aluminium, lacquered m = 103,0 g</p>	WUEV8-40-3D	



AUTOMATIC-FASTENING SETS			
ITEM	Description	Order no.	Drawing
	<p>Automatic fasteners (automatic connectors) are frictional connections with the option of installing and shifting profiles at a later time. No additional processing is required in order to install the connector. The connector sleeve is screwed on the front side of a profile groove using left rotation. The threads are self-tapping.</p>		
<p>Automatic-fastening set 5, galvanised</p>	<p>Automatic-fastener 5 St, galvanised Hexagon socket M4x30 St, galvanised T-slot 5 St M4 with guiding ridge M = 2,5 Nm m = 8,0 g</p>	SS-VE5	
<p>Automatic-fastening set 5, stainless</p>	<p>Automatic-fastener 5 St, stainless Hexagon socket M4x30 St, stainless Material: stainless steel T-Slot 5 St M4, stainless M = 2,5 Nm m = 8,0 g</p>	SS-VE5-E	
<p>Automatic-fastening set 6, galvanised</p>	<p>Automatic-fastener 6 St, galvanised Hexagon socket M5x35 St, galvanised T-slot 6 St M5 with guiding ridge concave, galvanised M = 10,0 Nm m = 19,5 g</p>	SS-VE6	
<p>Automatic-fastening set 6, stainless</p>	<p>Automatic-fastener 6 St, stainless Hexagon socket M5x35 St, stainless T-slot 6 St M5, stainless M = 6,5 Nm m = 19,5 g</p>	SS-VE6-E	
<p>Automatic-fastening set 8, galvanised</p>	<p>Automatic-fastener 8 St, galvanised Hexagon socket M6x40 St, galvanised T-slot 8 St M6 with guiding ridge, galvanised M = 14,0 Nm m = 33,0 g</p>	SS-VE8	
<p>Automatic-fastening set 8, stainless</p>	<p>Automatic-fastener 8 St, stainless Hexagon socket M6x40 St, stainless T-slot 8 St M6 with guiding ridge, stainless M = 11,0 Nm m = 33,0 g</p>	SS-VE8-E	

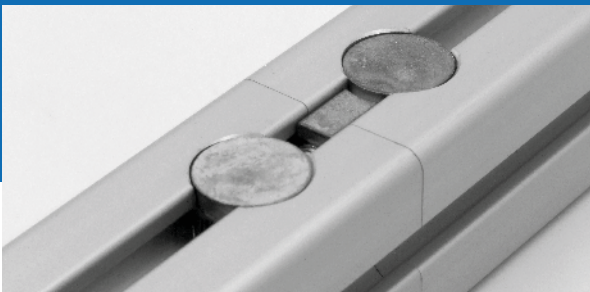


THREAD FORM-FASTENING SETS			
ITEM	Description	Order no.	Drawing
	Frictional connection with the option of installing and shifting profiles at a later time. No additional processing is required in order to install the connector. The connector sleeve is screwed on the front side of a profile groove. The threads are self-forming.		
Thread form-fastening set 8, galvanised 	Bushing 8 St, galvanised Hexagon socket M8x38 St, galvanised T-slot 8 St M8 with guiding ridge, St, galvanised short version: L = 19,0 mm M = 20,0 Nm L = 19,0 mm s = SW 6 m = 30,5 g	GFV-8	  
Thread form-fastening set 8 double 40, galvanised 	2 bushings 8 St, galvanised 2 hexagons sockets M8x38 St, galvanised Double T-slot 8 St M8 with guiding ridge, St, galvanised Hole separation: 25,4 mm M = 20,0 Nm L = 39,5 mm s = SW 6 m = 62,5 g	GFV-8-D-40	
Thread form-fastening set double 80, galvanised 	2 bushings 8 St, galvanised 2 hexagons sockets M8x38 St, galvanised Double T-slot 8 St M8 with guiding ridge, St, galvanised Hole separation: 65,4 mm M = 20,0 Nm L = 79,5 mm s = SW 6 m = 84,5 g	GFV-8-D-80	
	Cap PA black for automatic-fastening set or thread-form fastening set 8. The cap prevents the penetration of dirt and provides an improved appearance. It is quick and easy to install.		
Cap for thread form connectors set 	Material: PA-GF Colour: black m = 1,0 g	AK-SS	



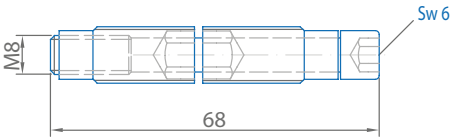

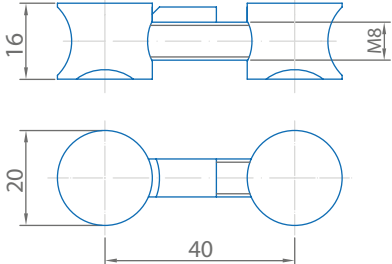

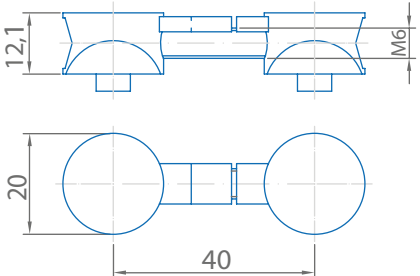

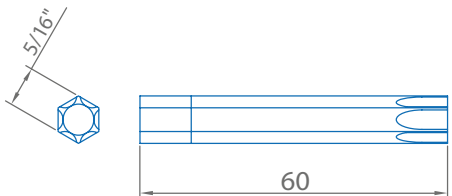


CONNECTION TECHNOLOGY

AUTOMATIC BUTT-FASTENING SETS			
ITEM	Description	Order no.	Drawing
	<p>Self tapping screws butt connectors (automatic-butt-fasteners) offer the possibility of extending profiles for butt joints. For mounting fastener no additional processing is necessary. The connector bushes are each screwed into a profile groove on the left-hand side; the threads are self-tapping. Butt fasteners should always be used in pairs.</p>		
Automatic-butt-fastening set 5, galvanised			
	<p>1 automatic-fastener 5 with through bore, St 1 automatic-fastener 5 with threaded bore, St Screw M4x40, St, galvanised M = 2,5 Nm m = 11,0 g</p>	SS-STV-5-SZ	
Automatic-butt-fastening set 6, galvanised			
	<p>1 automatic-fastener 6 with through bore, St 1 automatic-fastener 6 with threaded bore, St Hexagon socket DIN 912-M5x45, St, galvanised M = 8,0 Nm m = 24,0 g</p>	SS-STV-6-SZ	
Automatic-butt-fastening set 8, galvanised			
	<p>1 automatic-fastener 8 with through bore, St 1 automatic-fastener 8 with threaded bore, St Hexagon socket DIN 912-M6x50, St, galvanised M = 14,0 Nm m = 39,0 g</p>	SS-STV-8-SZ	

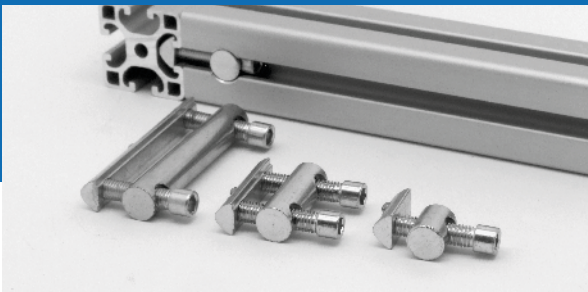


AUTOMATIC BUTT-FASTENING-SETS



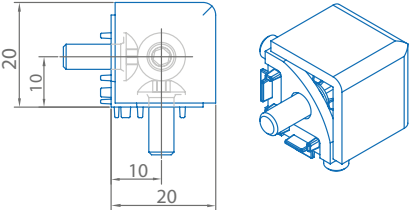

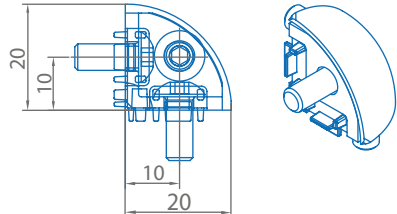

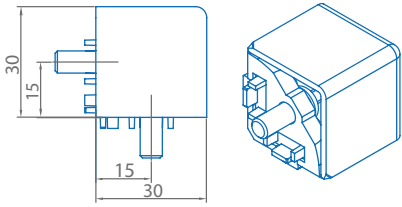

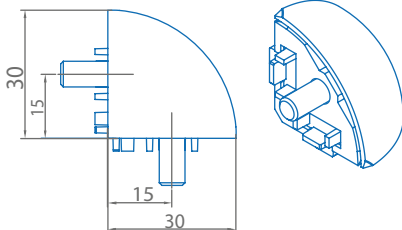
ITEM	Description	Order no.	Drawing
	Front connection from profile to butt for extending profiles. Butt-fasteners should only be used in pairs. Connection processing (details see chapter processing)		
Thread form-butt fastening set 	2 bushings 8 St, galvanised Hexagon socket M8x60 St, galvanised 2 caps AK-SS M = 20,0 Nm m = 37,5 g	GFV8-ST-SZ	
Universal-butt-fastening set 8 	2 universal connectors 8, die-cast zinc, galvanised Button-head screw ISO 7380-M8x45, St, galvanised M = 25,0 Nm m = 60,0 g	UV8-ST-SZ	
Pneumatic-universal-butt-fastening set 8, galvanised 	2 pneumatic-universal fastener 8, die-cast zinc, galvanised Hexagon socket DIN 912-M6x50, St, galvanised Hexagonal groove DIN 934-M6, galvanised M = 14,0 Nm m = 45,5 g	PUV8-ST-SZ	
Torx insert TX50 for thread form fastening set 	s = SW5/16" m = 20,0 g	GF-TX50	



BOLT CONNECTORS			
ITEM	Description	Order no.	Drawing
	Frictional, right-angled connection with the option of adjusting the profile struts at a later time. Suitable for installing profiles into existing constructions. The connector can be quickly mounted using a drill $D=14,2$ mm. The hole separation is 20 mm.		
Bolt connector 8 18 set, galvanised 	Bolt connector 18, St, galvanised Hexagon socket M8x35, St, galvanised T-slot 8 St M8 with guiding ridge, St, galvanised $M = 25,0$ Nm $m = 38,5$ g	BV8-18-SZ	
Bolt connector 8 40 set, galvanised 	Bolt connector 40, St, galvanised 2 hexagon sockets M8x35, St, galvanised T-slot 8 St 2xM8-39,5 with guiding ridge, St, galvanised $M = 25,0$ Nm $m = 79,0$ g	BV8-40-SZ	
Bolt connector 8 80 set, galvanised 	Bolt connector 80, St, galvanised 2 hexagon sockets M8x35, St, galvanised T-slot 8 St 2xM8-79,5 with guiding ridge, St, galvanised $M = 25,0$ Nm $m = 146,5$ g	BV8-80-SZ	





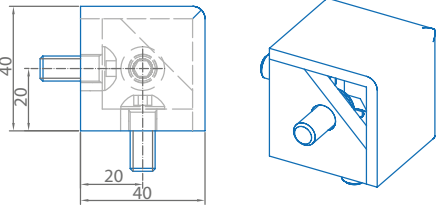

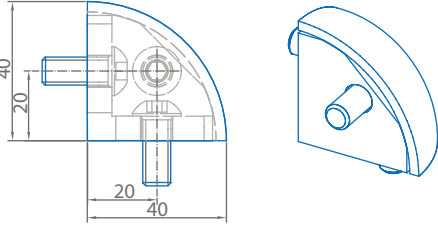

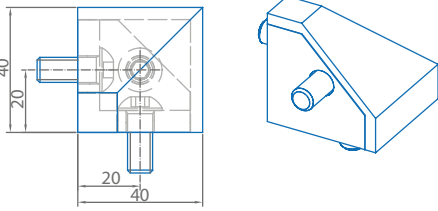

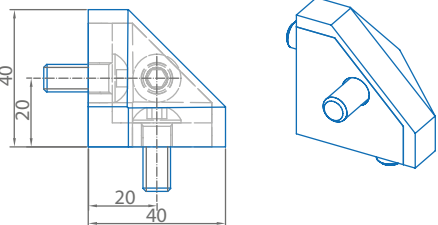
FASTENING SETS

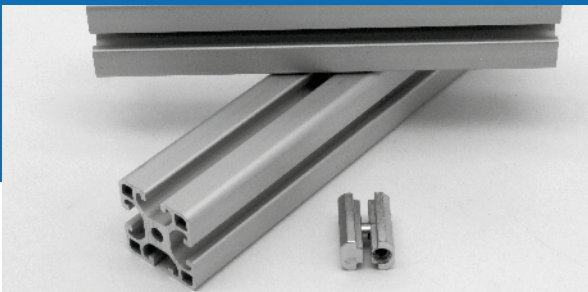
ITEM	Description	Order no.	Drawing
	<p>Fastening sets allow for screw connections of up to three profiles for corner connections. They are especially well-suited for display cases, cover hoods and light constructions. Connection processing: Thread M5/M6/M8 (core hole).</p>		
Fastening set 5, 20x20x20	 <p>Corner angle 20x20x20, die-cast zinc, galvanised Cap 20x20x20 angled, black 3 button-head screws M5x12, galvanised m = 22,0 g</p>	V20x20x20-SZ	
Fastening set 5 R20-90°	 <p>Corner angle R20-90°, die-cast zinc, galvanised Cap R20-90° rounded, black 3 button-head screws M5x12, galvanised m = 19,0 g</p>	VR20-90-SZ	
Fastening set 6, 30x30x30	 <p>Corner angle 30x30x30, die-cast zinc, galvanised Cap 30x30x30 angled, black 3 button-head screws M6x16, galvanised m = 59,0 g</p>	V30x30x30-SZ	
Fastening set 6 R30-90°	 <p>Corner angle 30x30x30, die-cast zinc, galvanised Cap R30-90° rounded, black 3 button-head screws M6x16, galvanised m = 54,0 g</p>	VR30-90-SZ	





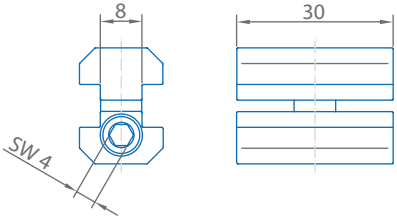
CONNECTION TECHNOLOGY

FASTENING SETS

ITEM	Description	Order no.	Drawing
	<p>Fastening sets allow for screw connections of up to three profiles for corner connections. They are especially well-suited for display cases, cover hoods and light constructions. Connection processing: thread M5/M6/M8 (core hole).</p>		
<p>Fastening set 8 40x40x40</p> 	<p>Corner angle 40x40x40, die-cast zinc, galvanised Cap 40x40x40 angled, black 3 button-head screws M8x20, galvanised m = 119,0 g</p>	<p>V40x40x40-SZ</p>	
<p>Fastening set 8 R40-90°</p> 	<p>Corner angle 40x40x40, die-cast zinc, galvanised Cap R40-90° rounded, black 3 button-head screws M8x20, galvanised m = 113,0 g</p>	<p>VR40-90-SZ</p>	
<p>Fastening set 8 40x40-2x45°</p> 	<p>Corner angle 40x40x40, die-cast zinc, galvanised Cap 40x40-2x45°, black 3 button-head screws M8x20, galvanised m = 132,5 g</p>	<p>V40x40-2x45-SZ</p>	
<p>Fastening set 8 40x40-45°</p> 	<p>Corner angle 40x40x40, die-cast zinc, galvanised Cap 40x40-45°, black 3 button-head screws M8x20, galvanised m = 111,0 g</p>	<p>V40x40-45-SZ</p>	



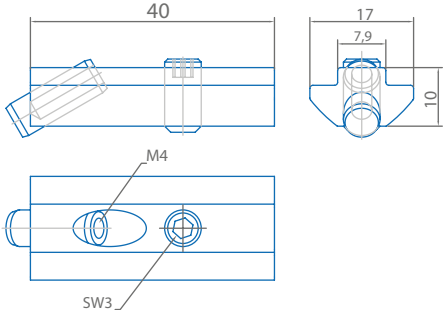


PARALLEL FASTENER



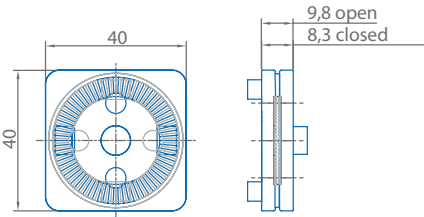
ITEM	Description	Order No.	Drawing
	Frictional connection of two profiles touching with their groove sides. The profile can be rotated and shifted into a position.		
Parallel fastener 8, galvanised			
	Fastener, St, galvanised M = 8,0 Nm m = 52,0 g	PV-8	

Connection
technology

PIN ELEMENT

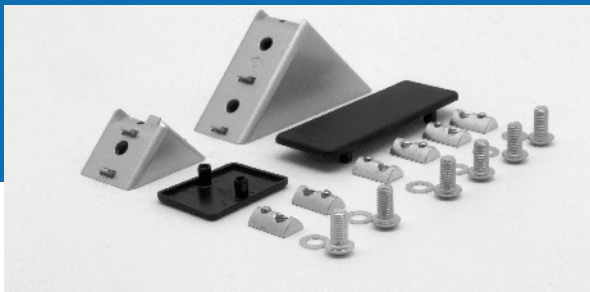
ITEM	Description	Order no.	Drawing
	The pin element is used for interlocking securing of connections. The capacity of a connection against shifting is increased per element to max. 3000 N. Perfectly suited for securing struts with a high dynamic load.		
Pin element 8, galvanised			
	Base plate, St, galvanised Threaded pin DIN 916-M6x12, St, galvanised Cylinder pin DIN 7979-6m6x16, St, hardened Connection processing: Hole diameter: 5,9 mm m = 36,0 g	VE-8	

FACE-FASTENING SET



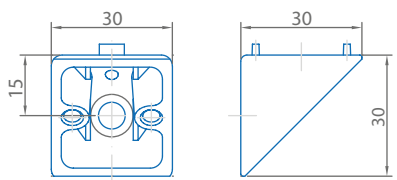

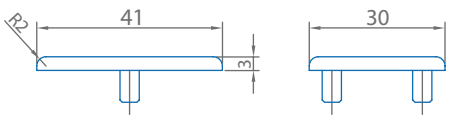

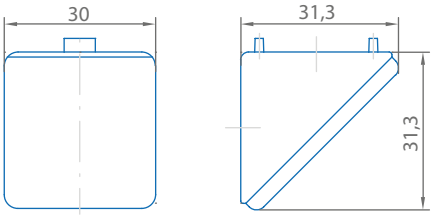

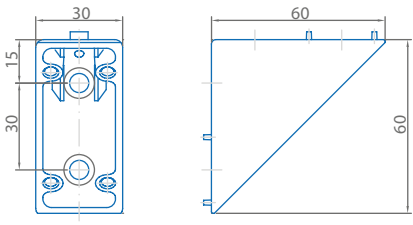

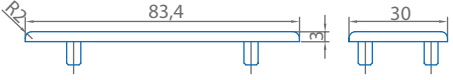

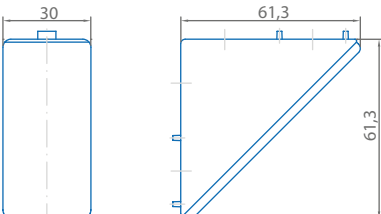
ITEM	Description	Order no.	Drawing
	The face-fastening set 8 is used for interlocking angular connections between two profiles with facing groove sides. The crossing angle can be selected using the interlock of the connector halves in 5°-increments.		
Face-fastening set 8			
	Material: die-cast zinc, black M = 8,0 Nm m = 77,0 g	PVSZ-8	



ANGLE BRACKETS ZN			
ITEM	Description	Order no.	Drawing
	Frictional, machining connection. Angle brackets can be used as additional reinforcement of connection and as fastening element for different components.		
Angle bracket 5 20x20 Zn 	Material: die-cast zinc Colour: RAL 9006 Surface: whitealuminium, lacquered m = 13,0 g	W5-20x20-ZN	
Angle bracket cap 5 20x20, black 	Material: PA-GF Colour: black m = 1,5 g	WAK5-20x20	
Angle bracket set 5 20x20 Zn 	Angle bracket 5 20x20, black Angle bracket cap 5 20x20, black 2 hexagon sockets DIN 6912-M5x8, St, galvanised 2 T-slots 5 St M5, galvanised m = 22,0 g	W5-20x20-ZN-SZ	
Angle bracket 5 40x40 Zn 	Material: die-cast zinc Colour: RAL 9006 Surface: whitealuminium, lacquered m = 39,0 g	W5-40x40-ZN	
Angle bracket cap 5 40x40, black 	Material: PA-GF Colour: black m = 3,5 g	WAK5-40x40	
Angle bracket set 5 40x40 Zn 	Angle bracket 5 40x40 Zn Angle bracket cap 5 40x40, black 4 hexagon sockets DIN 6912-M5x8, St galvanised 4 T-slots 5 St M5, galvanised m = 55,5 g	W5-40x40-ZN-SZ	

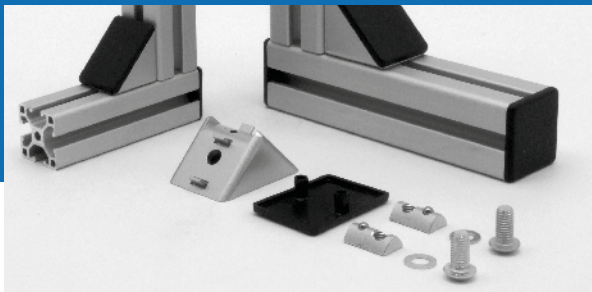


ANGLE BRACKETS ZN

ITEM	Description	Order no.	Drawing
			
Angle bracket 6 30x30 Zn 	Material: die-cast zinc Colour: RAL 9006 Surface: whitealuminium, lacquered m = 45,0 g	W6-30x30-ZN	
Angle bracket cap 6 30x30, black 	Material: PA-GF Colour: black m = 3,5 g	WAK6-30x30	
Angle bracket set 6 30x30 Zn 	Angle bracket 6 30x30 Zn Angle bracket cap 6 30x30, black 2 button-head screws ISO 7380-M6x12 St, galvanised 2 T-slots 6 St M6, galvanised m = 64,0 g	W6-30x30-ZN-SZ	
Angle bracket 6 60x60 Zn 	Material: die-cast zinc Colour: RAL 9006 Surface: whitealuminium, lacquered m = 128,5 g	W6-60x60-ZN	
Angle bracket cap 6 60x60, black 	Material: PA-GF Colour: black m = 7,0 g	WAK6-60x60	
Angle bracket set 6 60x60 Zn 	Angle bracket 6 60x60 Zn Angle bracket cap 6 60x60, black 4 button-head screws ISO 7380-M6x12, St, galvanised 4 T-slots 6 St M6, galvanised m = 166,0 g	W6-60x60-ZN-SZ	





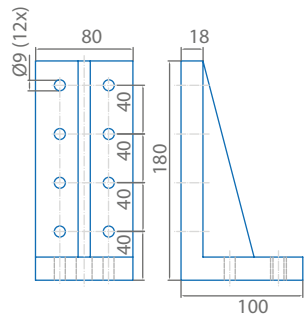


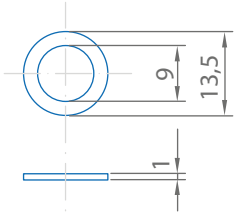


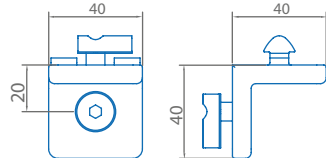
ANGLE BRACKETS ZN			
ITEM	Description	Order no.	Drawing
	Frictional, machining connection. Angle brackets can be used as additional reinforcement of connection and as fastening element for different components.		
Angle bracket 8 40x40 Zn 	Material: die-cast zinc Colour: RAL 9006 Surface: whitealuminium, lacquered m = 104,5 g	W8-40x40-ZN	
Angle bracket cap 8 40x40, black 	Material: PA-GF Colour: black m = 8,5 g	WAK8-40x40	
Angle bracket cap 8 40x40, grey 	Material: PA-GF Colour: grey similar to RAL 7042 m = 8,5 g	WAK8-40x40-G	
Angle bracket set 8 40x40 Zn 	Angle bracket 8 40x40 Zn Angle bracket cap 8 40x40, black 2 button-head screws ISO 7380-M8x16, St, galvanised 2 washers 13,5x9x1, St, galvanised 2 T-slots 8 St M8, galvanised m = 148,0 g	W8-40x40-ZN-SZ	
Angle bracket set 8 40x40 Zn, grey 	Angle bracket 8 40x40 Zn Angle bracket cap 8 40x40, grey 2 button-head screws ISO 7380-M8x16, St, galvanised 2 washers 13,5x9x1, St, galvanised 2 T-slots 8 St M8, galvanised m = 148,0 g	W8-40x40-ZN-SZ-G	

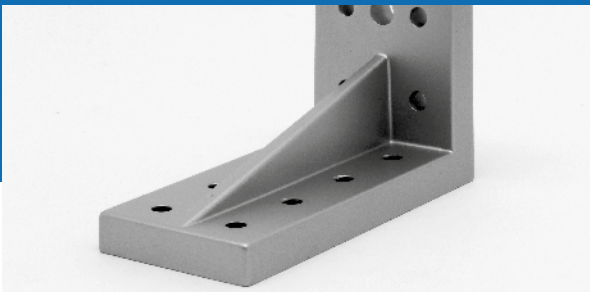




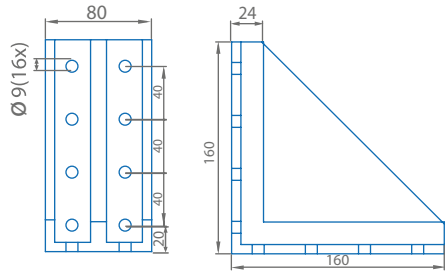


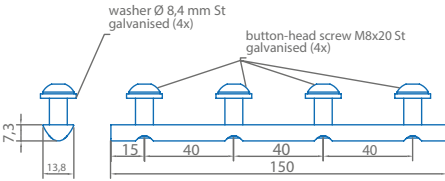
ANGLE BRACKETS

ITEM	Description	Order no.	Drawing
Angle bracket 8 80x80 Zn 	Material: die-cast zinc Colour: RAL 9006 Surface: whitealuminium, lacquered m = 271,0 g	W8-80x80-ZN	
Angle bracket cap 8, 80x80, black 	Material: PA-GF Colour: black m = 13,5 g	WAK8-80x80	
Angle bracket cap 8 80x80, grey 	Material: PA-GF Colour: grey similar to RAL 7042 m = 13,5 g	WAK8-80x80-G	
Angle bracket set 8 80x80 Zn 	Angle bracket 8 80x80 Zn Angle bracket cap 8 80x80, black 4 button-head screws ISO 7380-M8x16, St, galvanised 4 washers 13,5x9x1, St, galvanised 4 T-slots 8 St M8, galvanised m = 357,5 g	W8-80x80-ZN-SZ	
Angle bracket set 8 80x80 Zn, grey 	Angle bracket 8 80x80 Zn Angle bracket cap 8 80x80, grey 4 button-head screws ISO 7380-M8x16, St, galvanised 4 washers 13,5x9x1, St, galvanised 4 T-slots 8 St M8, galvanised m = 357,5 g	W8-80x80-ZN-SZ-G	
Angle bracket set 8 160x80 Zn 	Angle bracket 8 160x80 Zn Angle bracket cap 8 160x80, bracket 4 button-head screws ISO 7380-M8x16, St, galvanised 4 washers 13,5x9x1, St, galvanised 4 T-slots 8 St M8, galvanised m = 649,0 g	W8-160x80-ZN-SZ	



STIFFENING BRACKET			
ITEM	Description	Order no.	Drawing
	Strong, non-positive, machinable connection. The stiffening bracket 80x180 can be used as additional reinforcement for connections and as a fastening element for different attachments. Furthermore, it can be used for the fixed connection of aluminium profiles to the floor. They are mounted to the profile slots by using T-Slots M8.		
Stiffening bracket 80x180			
	Material: die-cast aluminium Colour: aluminium-coloured, lacquered m = 681,0 g	VW8-80x180	
WASHER			
ITEM	Description	Order no.	Drawing
	Fitted washer M8, galvanised for use in all angle brackets 8 Zn.		
Washer 13,5x9x1, galvanised			
	Material: St Surface: galvanised m = 0,75 g	BS13,5x9x1	
ANGLE BRACKET V8 40 ZN			
ITEM	Description	Order no.	Drawing
	Angle brackets V8 40 Zn serve as connecting elements for right-angled profile connections. They offer a friction-locked, machineless connection. The angle brackets have an anti-rotation lock on the rear side, which they position correctly in the profile groove. Included in delivery is a set incl. screws and T-Slots.		
Angle bracket set V8 40 Zn set			
	Angle bracket V 8 40 Zn, die-cast zinc Surface: whitealuminium, lacquered 2 T-slots 8 St M8, galvanised 2 countersunk screws M8x18, galvanised m = 172,0 g	W-V8-40-ZN-SZ	



ANGLE BRACKET 8 160X160 ST			
ITEM	Description	Order no.	Drawing
	<p>The angle bracket 8 160x160 St is a heavy-duty, force-locking connecting element. It can be used as an additional reinforcement of connections and as a fastening element for various heavy attachments. For mounting on the profile grooves, suitable mounting sets for angle brackets 8 160 - M8 (order no.: BS-W8-160-M8) are offered.</p>		
<p>Angle bracket 8 160x160 St M8</p> 	<p>Grey-cast iron Surface: whitealuminium, lacquered m = 2,65 kg</p>	<p>W8-160x160-ST-M8</p>	
	<p>Fastening set 8, galvanised for use with all angle brackets 8 160 Al and St.</p>		
<p>Fastening set 8 for angle brackets 8 160 - M8, galvanised</p> 	<p>T-slots 8 St M8-150, galvanised 4 button-head screws M8x20, St, galvanised 4 washers Ø 8,4 mm, St, galvanised m = 115,5 g</p>	<p>BS-W8-160-M8</p>	



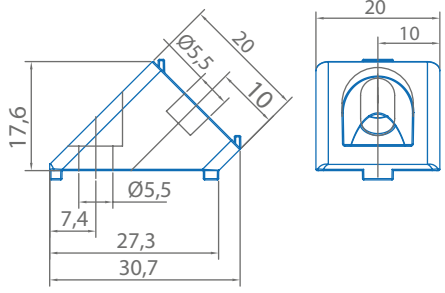


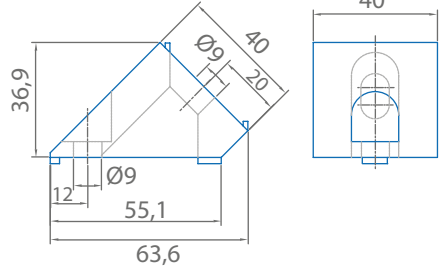

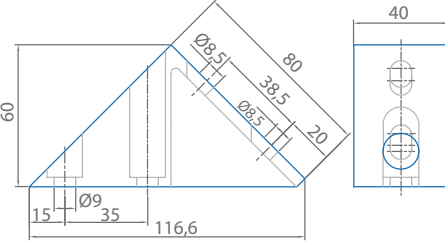

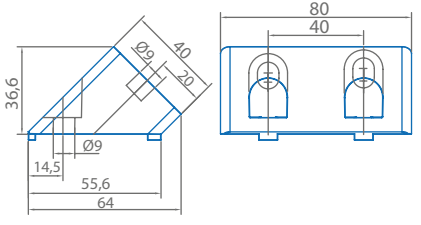
Connection
 technology



ANGLE BRACKET ELEMENTS			
ITEM	Description	Order no.	Drawing
	<p>Angle bracket elements are well-suited for fastening two profiles at an angle below 45° for constructing hitches and framework. They are mostly used for stiffening constructions.</p>		
Angle bracket element 8 T1 40 	<p>Material: Al Surface: anodised m = 75,0 g</p>	WE8-T1-40	
Angle bracket element 8 T1 80 	<p>Material: Al Surface: anodised m = 151,5 g</p>	WE8-T1-80	
Angle bracket element 8 T2 40 	<p>Material: Al Surface: anodised m = 70,0 g</p>	WE8-T2-40	
Angle bracket element 8 T2 80 	<p>Material: Al Surface: anodised m = 140,5 g</p>	WE8-T2-80	



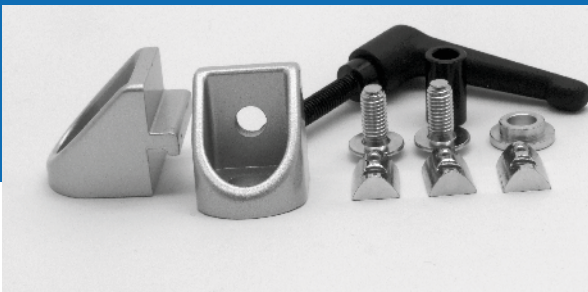
ANGLE FASTENERS

ITEM	Description	Order no.	Drawing
	Angle fastener are suitable for the simple connection of two aluminium profiles at an angle of 45°. They are quick and easy to install.		
Angle fastener 5 20x20-45°	 <p>Angle fastener 5 20x20-45°, die-cast aluminium Surface: whitealuminium, lacquered Connection processing: thread M5 (core hole) m = 10,4 g</p>	WV5-20-45	
			
Angle fastener 8 40x40-45°	 <p>Angle fastener 8 40x40-45°, die-cast zinc Surface: whitealuminium, lacquered Connection processing: thread M8 (core hole) m = 210,0 g</p>	WV8-40-45	
Angle fastener 8 40/80-45°	 <p>Angle fastener 8 40/80-45°, die-cast zinc Surface: whitealuminium, lacquered Connection processing: thread M8 (core hole) m = 353,0 g</p>	WV8-40/80-45	
Angle fastener 8 80x40-45°, horizontal	 <p>Angle fastener 8 80x40-45°, horizontal, die-cast aluminium Surface: whitealuminium, lacquered Installation direction: horizontal Connection processing: thread M8 (core hole) m = 166,2 g</p>	WV8-80x40-45-H	



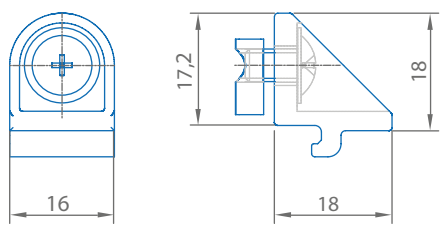

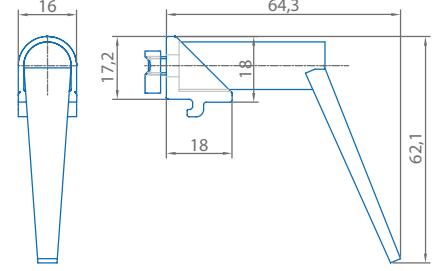


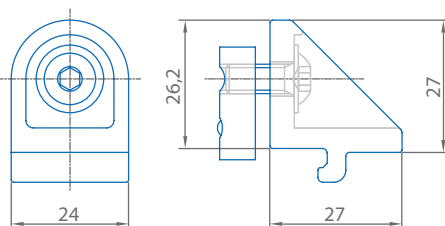

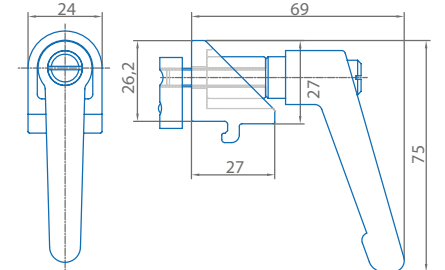
Connection
 technology



ANGLE HINGE BRACKETS			
ITEM	Description	Order no.	Drawing
	<p>Clamp and angle hinge brackets allow for a simple connection between two crossing profiles. They are especially well-suited for table elements which are to be adjusted in position, height and angle.</p>		
Angle hinge bracket 5			
	<p>Angle hinge bracket 5, die-cast zinc Surface: whitealuminium, lacquered 1 bearing bush, St, galvanised 2 T-slots 5 St M5, galvanised 1 button-head screw ISO 7380-M5x8, St, galvanised 1 lens head screw M5x10, St, galvanised m = 18,5 g</p>	GW-5	
Angle hinge bracket 6			
	<p>Angle hinge bracket 6, die-cast zinc Surface: whitealuminium, lacquered 1 bearing bush, St, galvanised 2 T-slots 6 St M6, galvanised 2 lens head screws M6x14, galvanised m = 60,0 g</p>	GW-6	
Angle hinge bracket 8			
	<p>Angle hinge bracket 8, die-cast zinc Surface: whitealuminium, lacquered 1 bearing bush, St, galvanised 2 T-slots 8 St M8, galvanised 2 lens head screws M8x18, galvanised m = 134,5 g</p>	GW-8	



ANGLE CLAMP BRACKETS

ITEM	Description	Order no.	Drawing
	<p>Angle clamp brackets allow a simple connection of two intersecting profiles. They are particularly suitable for table trays which can be adjusted both position height and inclination.</p>		
Angle clamp bracket 5 	<p>Angle clamp bracket 5, die-cast zinc Surface: whitealuminium, lacquered 1 T-slots 5 St M5, galvanised 1 lens head screws M5x8, galvanised m = 16,0 g</p>	KW-5	
Angle clamp bracket 5 with clamp lever 	<p>Angle clamp bracket 5, die-cast zinc Surface: whitealuminium, lacquered 1 T-slot 5 St M5, galvanised 1 clamp lever M5x20, black 1 bush, St, black m = 55,0 g</p>	KW-5-KH	
			
Angle clamp bracket 6 	<p>Angle clamp bracket 6, die-cast zinc Surface: whitealuminium, lacquered 1 T-slot 6 St M6, galvanised 1 lens head screw M6x14, galvanised m = 52,0 g</p>	KW-6	
Angle clamp bracket 6 with clamp lever 	<p>Angle clamp bracket 6, die-cast zinc Surface: whitealuminium, lacquered 1 T-slot 6 St M6, galvanised 1 clamp lever M6x32, black 1 bush, St, black m = 139,0 g</p>	KW-6-KH	





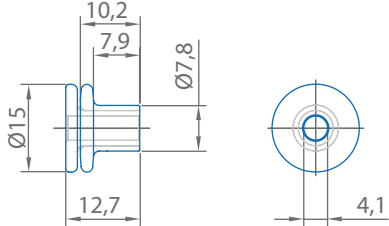

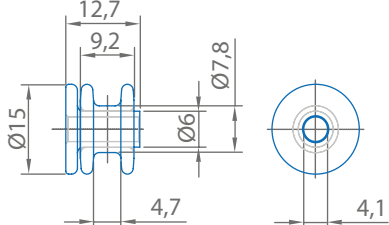
ANGLE CLAMP BRACKETS

ITEM	Description	Order no.	Drawing
	<p>Angle clamp brackets allow a simple connection of two intersecting profiles. They are particularly suitable for table trays which can be adjusted both position height and inclination.</p>		
Angle clamp bracket 8 	<p>Angle clamp bracket 8, die-cast zinc Surface: whitealuminium, lacquered 1 T-slot 8 St M8, galvanised 1 lens head screw M8x18, galvanised m = 120,0 g</p>	KW-8	
Angle clamp bracket 8 with clamp lever 	<p>Angle clamp bracket 8, die-cast zinc Surface: whitealuminium, lacquered 1 T-slot 8 St M8, galvanised 1 clamp lever M8x40, black 1 bush, St, black m = 209,0 g</p>	KW-8-KH	

PIVOT ANGLE

ITEM	Description	Order no.	Drawing
	<p>Pivot angles are used for a connection between two hinges with an adjustable angle. It can be attached using a clamp lever. Pivot angles are especially well-suited for incline adjustments of table elements.</p>		
Pivot angle 130, galvanised 	<p>Material: St Surface: galvanised m = 221,0 g</p>	SCHW-130	



T-SLOT ROLLERS			
ITEM	Description	Order no.	Drawing
	T-slot rollers allow for the construction of simple guiding. They connect profiles (affixed) with movable components without centre offset.		
T-slot roller 8 L 	1 floating bearing castor Material: POM Colour: black 1 bearing hub Material: Al, natural m = 4,5 g	NR8-L	
T-slot roller 8 F 	1 fixed bearing castor Material: POM Colour: black 1 bearing hub Material: Al, natural m = 4,5 g	NR8-F	



HINGES			
ITEM	Description	Order no.	Drawing
	<p>Hinges are suitable for connecting profiles at any angle. They can also be used as heavy hinges. As delivered, a hinge is freely movable. After tightening the clamping screws, it can be used as a rigid angled element. The supplied fixings allow torsion-proof fastening to the profile groove.</p>		
Hinge 5 20x20 	Hinge 5 20x20, die-cast aluminium Surface: whitealuminium, lacquered 2 fixations, PA-GF, black m = 22,0 g	G5-20x20	
Hinge 5 20x20 with clamp lever 	Hinge 5 20x20, die-cast aluminium Surface: whitealuminium, lacquered 2 fixations, PA-GF, black Clamp lever M4x20, black Load: max. 5 Nm m = 34,5 g	G5-20x20-KH	
Hinge 6 30x30 	Hinge 6 30x30, die-cast zinc Surface: whitealuminium, lacquered 4 fixations, die-cast zinc, galvanised m = 129,5 g	G6-30x30	
Hinge 6 30x30 with clamp lever 	Hinge 6 30x30, die-cast zinc Surface: white aluminium, lacquered 4 fixations, die-cast zinc, galvanised Clamp lever M5x30, black Load: max. 10 Nm m = 167,0 g	G6-30x30-KH	



HINGES			
ITEM	Description	Order no.	Drawing
Hinge 8 40x40			
	Hinge 8 40x40, die-cast zinc Surface: whitealuminium, lacquered 4 fixations, die-cast zinc, galvanised m = 282,5 g	G8-40x40	
Hinge 8 40x40 with clamp lever			
	Hinge 8 40x40, die-cast zinc Surface: whitealuminium, lacquered 4 fixations, die-cast zinc, galvanised Clamp lever M8x40, black Load: max. 20 Nm m = 381,0 g	G8-40x40-KH	
Hinge 8 80x40			
	Hinge 8 80x40, die-cast zinc Surface: whitealuminium, lacquered 4 fixations, die-cast zinc, galvanised m = 1.029,5 g	G8-80x40	
Hinge 8 80x40			
	Hinge 8 80x40, die-cast zinc Surface: whitealuminium, lacquered 4 fixations, die-cast zinc, galvanised Clamp lever M8x80, black m = 1.169,5 g	G8-80x40-KH	

Connection
 technology