

# VACUUM FILTERS

## Line vacuum filter (VL-filter)

### Features and Strengths

Simply pushing the tube into the LV-filter  
 (No other operation is required)  
 Excellent filtering – Minimum particle : 10micron  
 Easy to check and replace filter element



### Specifications

Model	Tube size (mm) (Outer diameter)	Removal efficiency (μ)	Filter area (mm <sup>2</sup> )	Temperature (°C)	Weight (g)
VTF-0706	6	10	7.5	0 ~ 60	25.0
VTF-1208	8	10	12.5	0 ~ 60	39.5

### Build an Ordering No.

1. Line vacuum filter	Description	Ordering No.
	Line vacuum filter, 10 Micron, 6mm tube outer diameter	<a href="#">VTF-0706</a>
	Line vacuum filter, 10 Micron, 8mm tube outer diameter	<a href="#">VTF-1208</a>

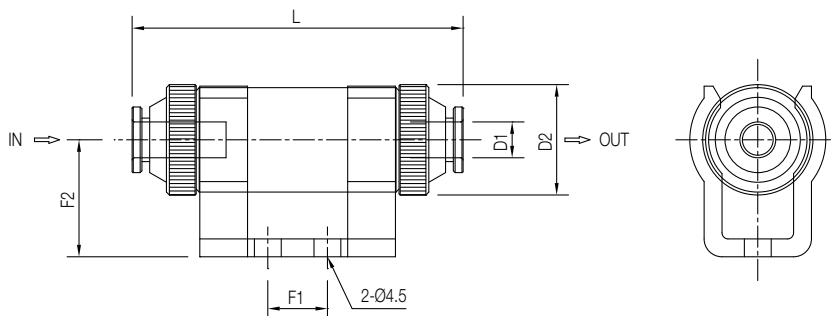
### Spare Parts – Filter Element

Model No.	Description	Weight (g)
VTFE0706	Filter Element for VTF-0706	0.74
VTFE1208	Filter Element for VTF-1208	1.2

### Dimensions

[ Unit : mm ]

Model	L	D1	D2	F1	F2
VTF-0706	55.5	Ø6	Ø18.5	10	20
VTF-1208	65.2	Ø8	Ø22.5	14	44



## IN-Line vacuum filter (VL-filter)

### Features and Strengths

Simply pushing the tube into the LV-filter  
 (No other operation is required)  
 Excellent filtering – Minimum particle : 10micron  
 Easy to check and replace filter element



### Specifications

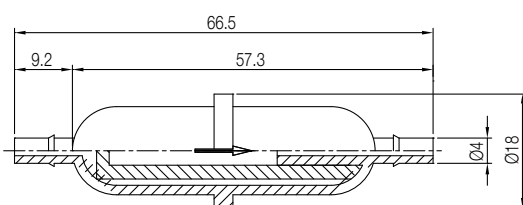
Model	Port size (Inner diameter)	Removal efficiency ( $\mu$ )	Internal volume (cm <sup>3</sup> )	Material	Temperature (°C)	Weight (g)
VTF-06-IN	Ø4	20	4	PP, PE	0 ~ 80	4
VTF-38-IN	G3/8"	20	20	PP, PE	0 ~ 80	14

### Build an Ordering No.

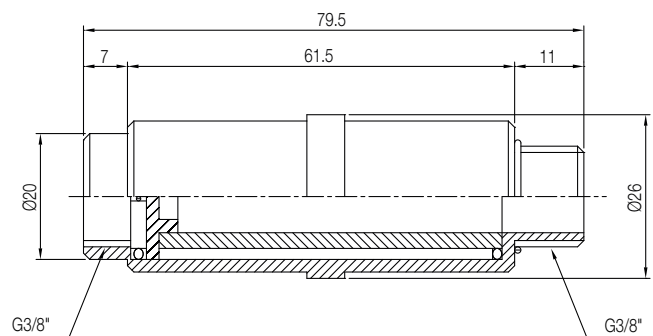
1. IN-Line vacuum filter	Description	Ordering No.
	IN-Line vacuum filter, 20 Micron, 4mm tube inner diameter	<a href="#">VTF-06-IN</a>
	IN-Line vacuum filter, 20 Micron, G3/8" tube inner diameter	<a href="#">VTF-38-IN</a>

### Dimensions

[ Unit : mm ]



[VTF-06-IN]



[VTF-38-IN]

# VACUUM FILTERS

## Turtle filter

### Features and Strengths

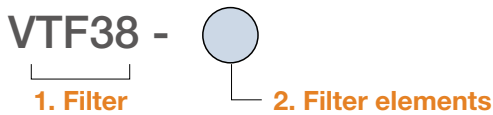
Patented design  
 Pleated media for high dirt holding capacity  
 Available for PE & Paper element options  
 Replaceable filter element



### Specifications

Model	Port size (Inner diameter)	Removal efficiency (μ)		Internal volume (cm <sup>3</sup> )	Material	Temperature (°C)	Weight (g)
		Paper	Polyester				
VTF38	G3/8"	2	5	35	PA, PC, PE, Paper	-26 ~ 104	0.08
VTF12	G1/2"	2	5	150	PA, PC, PE, Paper	-26 ~ 104	0.22
VTF34	G3/4"	2	5	160	PA, PC, PE, Paper	-26 ~ 104	0.20

### Build an Ordering No.



1. Turtle filter	Description	Ordering No.
	Turtle vacuum filter, G3/8" port size	<a href="#">VTF38</a>
	Turtle vacuum filter, G1/2" port size	<a href="#">VTF12</a>
	Turtle vacuum filter, G3/4" port size	<a href="#">VTF34</a>

2. Filter element	Description	Ordering No.
	Paper filter element, 2 Micron	<a href="#">1</a>
	Polyester (PE) filter element, 5 Micron	<a href="#">2</a>

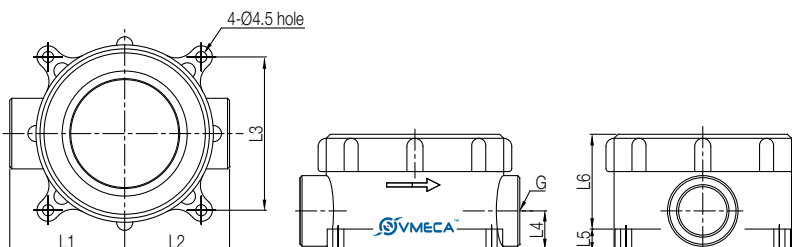
### Spare Parts – Filter Element

Model No.	Description	Weight (g)
VTFE341	Paper filter element for VTF38	8.6
VTFE342	Polyester (PE) filter element for VTF38	8.3
VTFE501	Paper filter element for VTF12 & VTF34	14.5
VTFE502	Polyester (PE) filter element for VTF12 & VTF34	13.9

### Dimensions

[ Unit : mm ]

Model	G	L1	L2	L3	L4	L5	L6
VTF38	G3/8"	37	33	50	13.5	10	30
VTF12	G1/2"	57	52	76	19	10	47
VTF34	G3/4"	57	52	76	19	10	47



## Bowl filter

### Features and Strengths

Useful in conjunction with the larger pumps  
Available for filter element options  
Replaceable filter element



### Specifications

Model	Port size (Inner diameter)	Removal efficiency (μ)	Internal volume (cm <sup>3</sup> )	Material	Temperature (°C)	Weight (g)
VTF-38-96	G3/8"	20	205	PA, PC, PE, Paper	-20 ~ 100	226
VTF-38-141	G3/8"	20	269	PA, PC, PE, Paper	-20 ~ 100	286
VTF-12-96	G1/2"	20	205	PA, PC, PE, Paper	-20 ~ 100	230
VTF-12-141	G1/2"	20	269	PA, PC, PE, Paper	-20 ~ 100	269
VTF-34-96	G3/4"	20	205	PA, PC, PE, Paper	-20 ~ 100	213
VTF-34-141	G3/4"	20	269	PA, PC, PE, Paper	-20 ~ 100	258
VTF-01-118	G1"	20	495	PA, PC, PE, Paper	-20 ~ 100	620
VTF-01-154	G1"	20	675	PA, PC, PE, Paper	-20 ~ 100	690
VTF-02-118	G1-1/2"	20	495	PA, PC, PE, Paper	-20 ~ 100	565
VTF-02-154	G1-1/2"	20	675	PA, PC, PE, Paper	-20 ~ 100	636

### Build an Ordering No.

## VTF - 38 - 96

### 1. Filter

1. Bowl filter	Description	Ordering No.
	Bowl vacuum filter, 20 Micron, G3/8" port size, Polyester (PE) filter element	<a href="#">VTF-38-96</a>
	Bowl vacuum filter, 20 Micron, G3/8" port size, Polyester (PE) filter element	<a href="#">VTF-38-141</a>
	Bowl vacuum filter, 20 Micron, G1/2" port size, Polyester (PE) filter element	<a href="#">VTF-12-96</a>
	Bowl vacuum filter, 20 Micron, G1/2" port size, Polyester (PE) filter element	<a href="#">VTF-12-141</a>
	Bowl vacuum filter, 20 Micron, G3/4" port size, Polyester (PE) filter element	<a href="#">VTF-34-96</a>
	Bowl vacuum filter, 20 Micron, G3/4" port size, Polyester (PE) filter element	<a href="#">VTF-34-141</a>
	Bowl vacuum filter, 20 Micron, G1" port size, Polyester (PE) filter element	<a href="#">VTF-01-118</a>
	Bowl vacuum filter, 20 Micron, G1" port size, Polyester (PE) filter element	<a href="#">VTF-01-154</a>
	Bowl vacuum filter, 20 Micron, G1-1/2" port size, Polyester (PE) filter element	<a href="#">VTF-02-118</a>
	Bowl vacuum filter, 20 Micron, G1-1/2" port size, Polyester (PE) filter element	<a href="#">VTF-02-154</a>

### Spare Parts – Filter Element

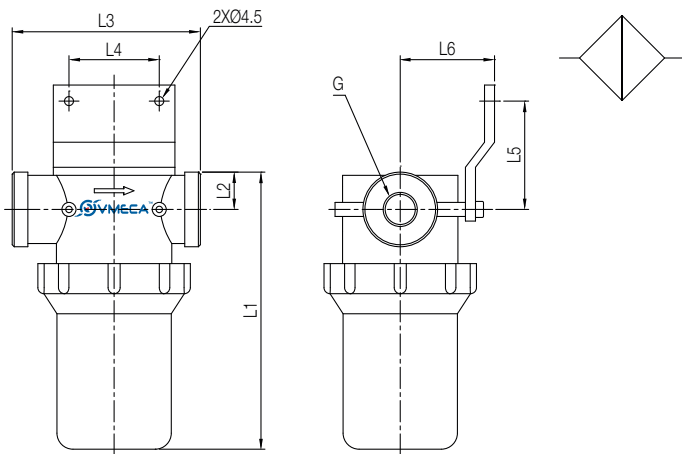
Model No.	Description	Weight (g)
VTFE27.5-39096	Polyester (PE) element for VTF-38-96, VTF-12-96 & VTF-34-96	32.93
VTFE27.5-39141	Polyester (PE) element for VTF-38-141, VTF-12-141 & VTF-34-141	47.75
VTFE47.4-62118	Polyester (PE) element for VTF-01-118, & VTF-02-118	89.16
VTFE47.4-62154	Polyester (PE) element for VTF-01-154, & VTF-02-154	60.72

# VACUUM FILTERS

## Dimensions

[ Unit : mm ]

Model	G	L1	L2	L3	L4	L5	L6
VTF-38-96	G3/8"	140	18.5	90	44.5	52	47
VTF-38-141	G3/8"	185	18.5	90	44.5	52	47
VTF-12-96	G1/2"	140	18.5	90	44.5	52	47
VTF-12-141	G1/2"	185	18.5	90	44.5	52	47
VTF-34-96	G3/4"	140	18.5	90	44.5	52	47
VTF-34-141	G3/4"	185	18.5	90	44.5	52	47
VTF-01-118	G1"	183	31	125	70	65	67
VTF-01-154	G1"	219	31	125	70	65	67
VTF-02-118	G1-1/2"	183	31	125	70	65	67
VTF-02-154	G1-1/2"	219	31	125	70	65	67



# Mega vacuum filter

## Features and Strengths

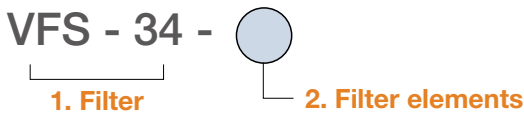
Suitable for conjunction with the larger pump and highest filter capacity  
 Available for PE & Paper element options  
 Replaceable filter element



## Specifications

Model	Port size (Inner diameter)	Removal efficiency (μ)		Internal volume (cm <sup>3</sup> )	Material	Temperature (°C)	Weight (g)
		Paper	Polyester				
VFS-34	G3/4"	2	5	1200	Steel, Paper or PE	-26 ~ 104	1000
VFS-01	G1"	2	5	1200	Steel, Paper or PE	-26 ~ 104	1000
VFS-02	G1-1/2"	2	5	3000	Steel, Paper or PE	-26 ~ 104	2100
VFS-03	G2"	2	5	6500	Steel, Paper or PE	-26 ~ 104	4900

## Build an Ordering No.



1. Mega vacuum filter	Description	Ordering No.
	Mega vacuum filter, G3/4" port size	VFS-34
	Mega vacuum filter, G1" port size	VFS-01
	Mega vacuum filter, G1-1/2" port size	VFS-02
	Mega vacuum filter, G2" port size	VFS-03
2. Filter element	Description	Ordering No.
	Paper filter element, 2 Micron	Blank
	Polyester (PE) filter element, 5 Micron	P

## Spare Parts – Filter Element

Model No.	Description	Weight (g)
VFSE34	Paper filter element for VFS-34 & VFS-01	166.1
VFSPE34	Polyester (PE) filter element for VFS-34-P & VFS-01-P	190.5
VFSE02	Paper filter element for VFS-02	440
VFSPE02	Polyester (PE) filter element for VFS-02-P	520
VFSE03	Paper filter element for VFS-03	780
VFSPE03	Polyester (PE) filter element for VFS-03-P	940

# VACUUM FILTERS

## Dimensions

[ Unit : mm ]

Model	G	ØA	ØB	L1	L2
VFS-34	G3/4"	129	147	111	68
VFS-01	G1"	129	147	111	68
VFS-02	G1-1/2"	173	187	172	118
VFS-03	G2"	194	222	257	127

