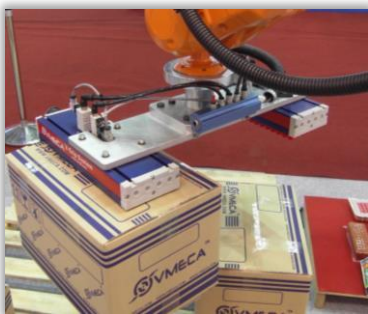
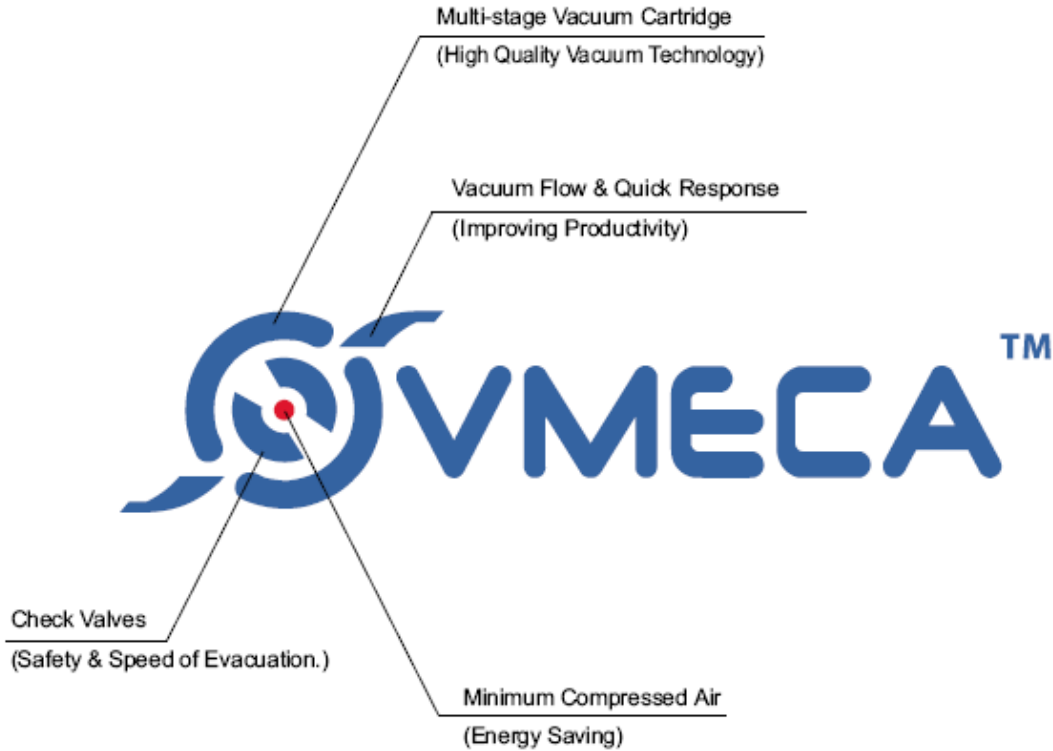
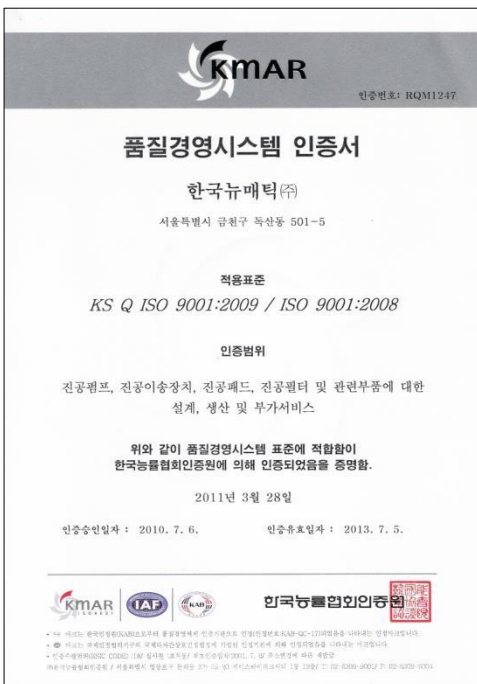


# VMECA V-GRIP SYSTEM





- The "V" in our logo comes from Vacuum technology and "MECA" comes from the Mechanical technology.
- By using the vacuum cartridge icon and blue VTEC color, it clearly reminds that "VMECA" is the same brand as VTEC.
- The VMECA reflects vacuum and mechanical technologies that combines well and supplies complement system to the customers.



## V - GRIP Constructions

### Series

**G SERIES**

- **Integrated Vacuum Pump**
- Air Control Valve - G1/4", G3/8"
- Vacuum Release Valve - G1/8", G1/4"
- Vacuum Gauge & Switch

---

**GF SERIES**

- **Without Vacuum Pump**  
(for External Vacuum Pump)
- Vacuum Connect Flange - G1"
- Vacuum Release Valve - G1/8", G1/4"
- Vacuum Gauge & Switch

### Check Valve Module

**Standard ES**

**Adjustable AW**

- **Check Valve Module**
- Perfect closure of idle vacuum port
- Optional adjustable check valve holes are adjustable according to handling products
- Handles porous and non-porous materials
- Integrated filter

### Soft Form

**Standard ES**

**Adjustable AW**

- **Flexible Sealing Foam**
- Excellent gripping on both even and uneven surface
- Durability
- Easy Installation and Replacement

### Suction Cup

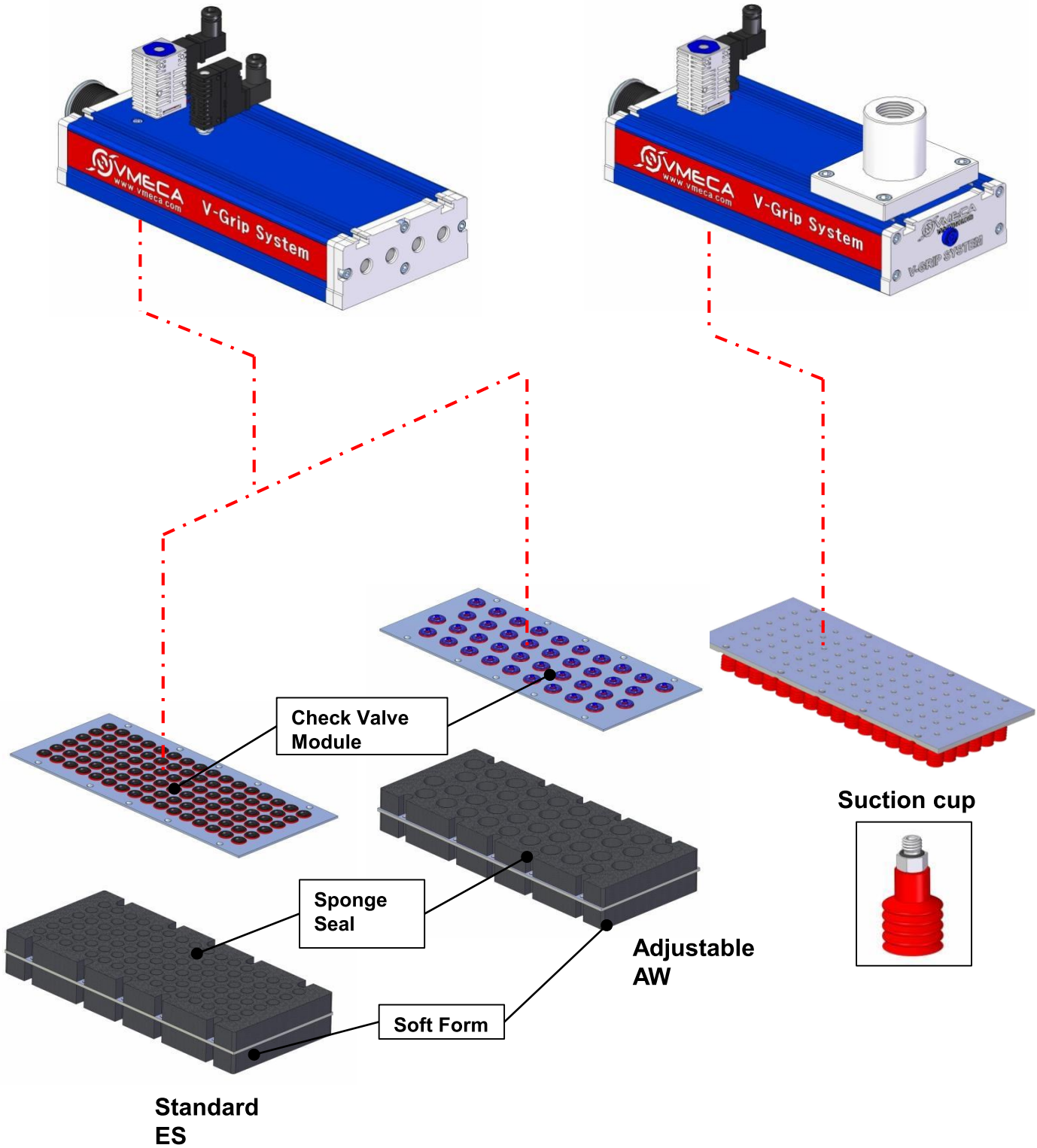
- **Variable Suction Pad**
- Various Pad size / Material
- Durability
- Easy maintenance  
( Each Pad is replaceable separately)

## Structure

V-Grip G/GF Series are integrated with the Check Valve Module to be able to cope with various surface and applications..

### G SERIES

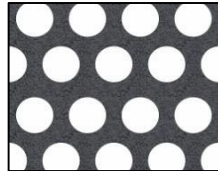
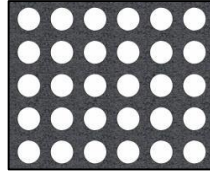
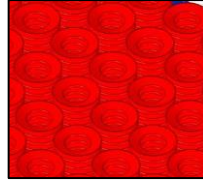
### GF SERIES



Standard  
ES

## Various Suction Cups

V-Grip is excellent gripping both even and uneven surface product. There are optional Standard, Adjustable or Suction Cup Array types that are available.



### • Suction Cup Array Type PAD

- Selectable Suction Cup Types and Quantity
- Easy Maintenance (Easy Replacement)

### • Standard Type (ES) Soft Sealing Form

- Available for standard check valves
- Consist of many  $\Phi 12$  holes
- Strong holding force with divided large vacuum port.
- 20mm thick flexible sealing foam

### • Adjustable Type (AW) Soft Sealing Form

- Available for adjustable check valve type
- Consist of many  $\Phi 20$  holes
- Efficiency vacuum control with Adjustable Vacuum Check Valves
- 20mm thickness flexible sealing foam

## Vacuum pump for GF Series

Various VMECA vacuum pumps are attachable to GF series V-Grip systems depending on the application.

### ■ Various vacuum pump for GF series



**TURTLE PUMP**



**PREMIUM PUMP**



**CLASSIC PUMP**



**MEGA PUMP**



**MAX FLEX PUMP**



**MD PUMP**

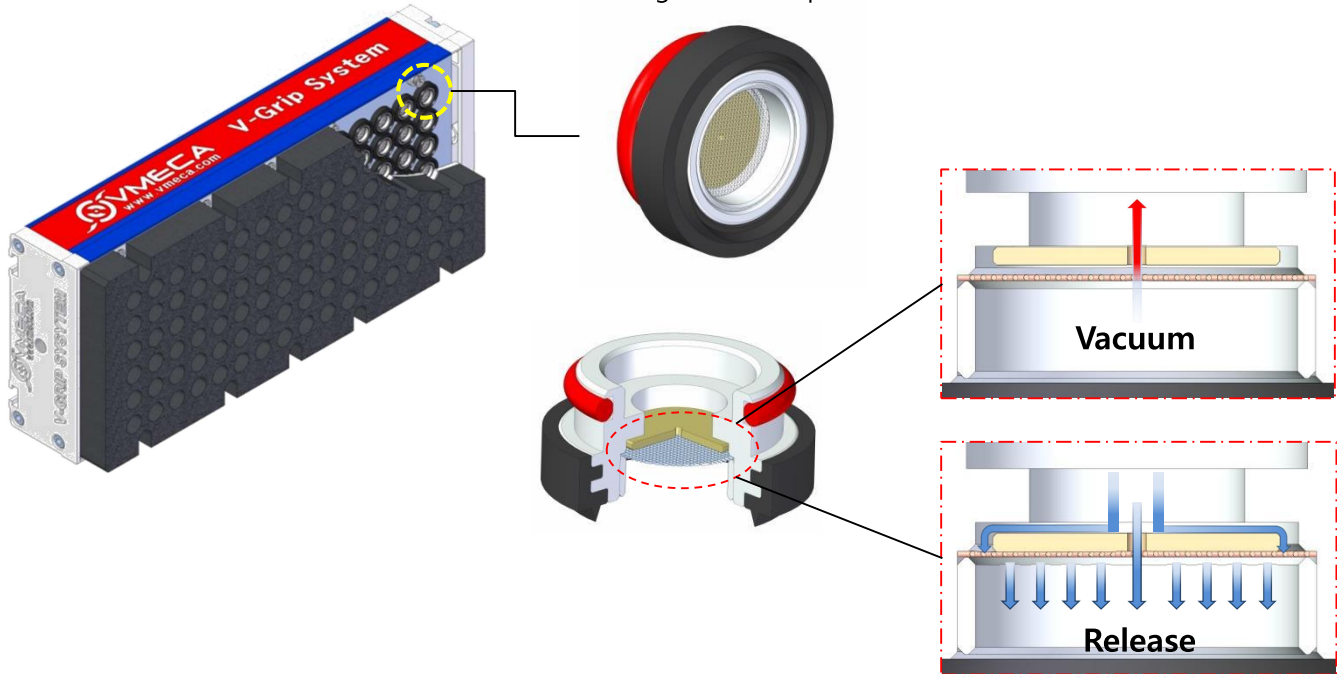
## Check Valves Features

VMECA V-Grip is designed to work perfectly with the aid of a check valve located in each orifice

### Standard Check Valve

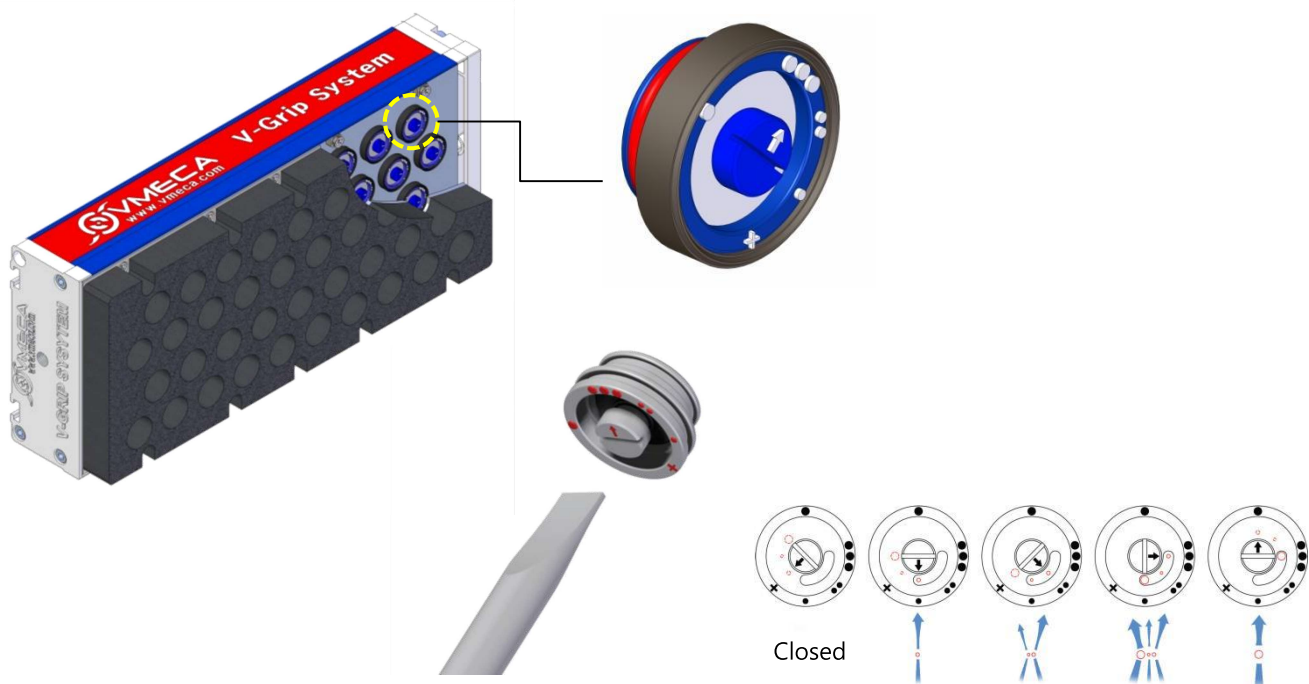
Vacuum – Check valve moves up allowing vacuum to only be drawn through the middle port

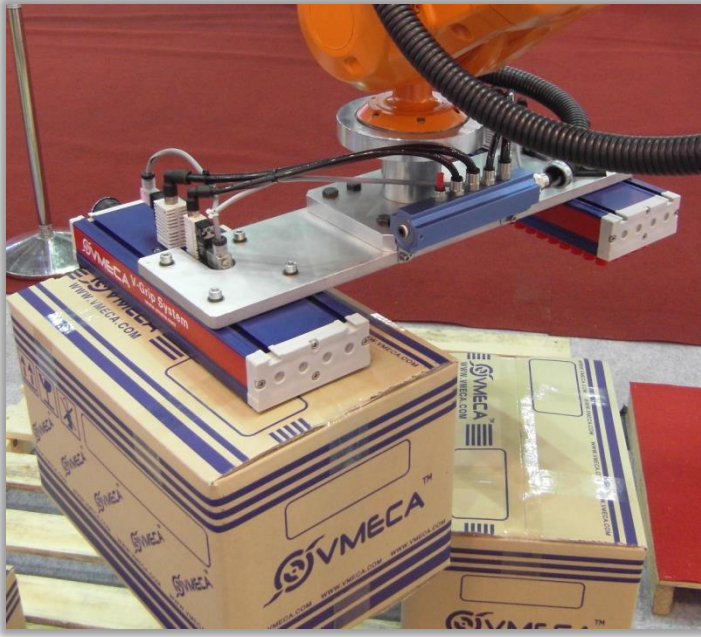
Vacuum Release – Check valve moves down allowing air to escape from the sides and middle



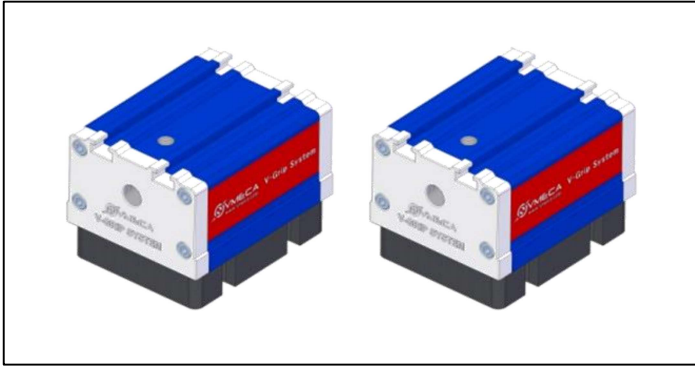
### Adjustable Check Valve

Depending on the different shapes and features, the vacuum flow rate is adjustable to fully adapt to your application





## GF 80 Series



### ■ Features

- ✓ Available with easy connection on various **VMECA** vacuum pump
- ✓ Handles various products with different shapes, sizes and porous material
- ✓ Flexible sealing foam(EPDM) sponge pad grips excellently
- ✓ Adjustable check valve available
- ✓ Durable and light weight aluminum extrusion body frame
- ✓ Easy Installation and low maintenance

## Ordering Information

### GF 80 X 250 - E S - R3 DN - G

①      ②      ③ ④      ⑤      ⑥      ⑦

#### ① G Series (width)

- **GF 80** - 84mm

#### ② Length

- 100 - 100mm
- 150 - 150mm
- 200 - 200mm
- 220 - 220mm
- **250** - 250mm
- 300 - 300mm

#### ③ Check Valve

- **E** - Standard
- A - Adjustable

#### ④ Port Spacing

- **S** - Narrow
- W - Wide

#### ⑤ Release Valve

- R1 - G1/8", N/C, AC110V
- R2 - G1/8", N/C, AC220V
- **R3** - G1/8", N/C, DC24V

※ Remark : VMS18D Valve only

#### ⑥ Solenoid Terminal

- **DN** - DIN type without lead wire
- DL - DIN type with lamp without lead wire
- Connector Type with
- CL** - lamp & 0.3 m lead wire

#### ⑦ Vacuum Switch

- **G** - Dial Gauge Attached (VTG-18)
- - Not attached
- S2(P)** - Digital output 2 points, No analog supply  
M8-4Pin male connector (0.3m lead wire)
- SG2(P)** - Digital output 2 points, No analog supply  
(Grommet type 4 core, 2m lead wire)
- SG3(P)** - Digital output 2 points, Analog Supply  
(Grommet type 5 core, 2m lead wire)

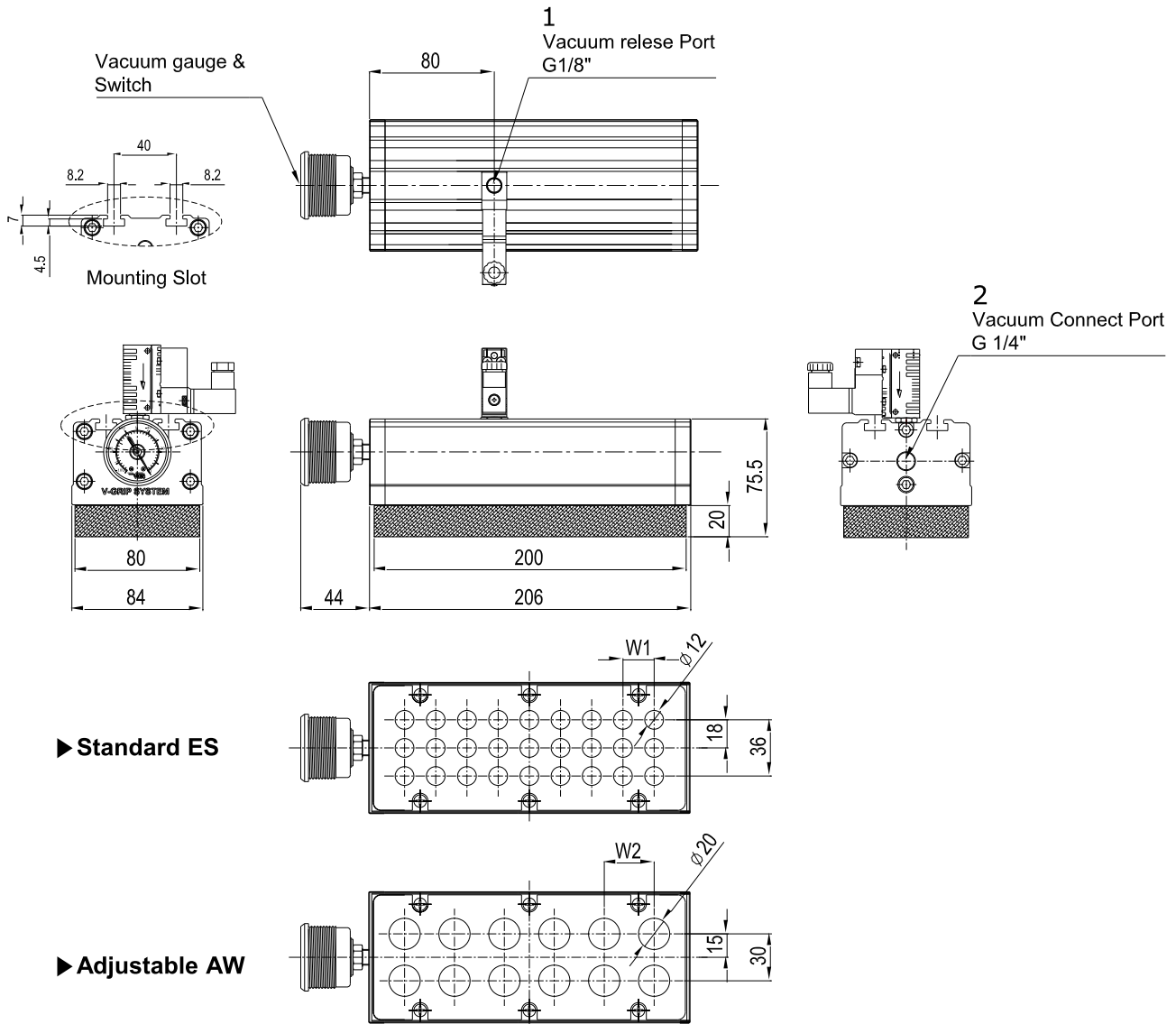
※Mark : ① S\_(P)

└ Output type : PNP open collector

②VC M8-4-2 : M8-4 pin female connector  
Option for 'S2' or 'S2P'

## Dimensions

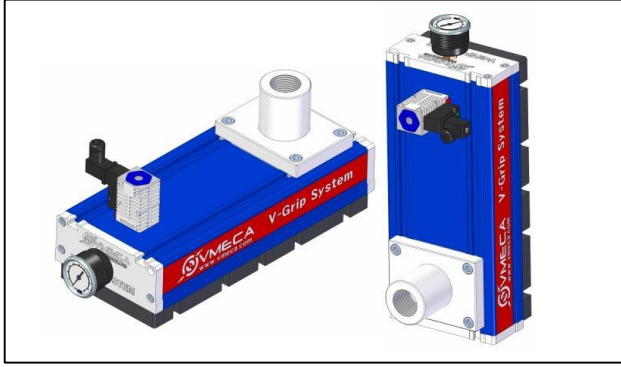
### ▼ GF 80 ... Series



Measure Unit : mm

| Model          | Full Length |     | Sponge Pad Length |    | Standard Vacuum Port(Φ12) |    | Adjustable Vacuum port (Φ20) |        | Release Valve |  |
|----------------|-------------|-----|-------------------|----|---------------------------|----|------------------------------|--------|---------------|--|
|                | L1          | L2  | No.               | W1 | No.                       | W2 | V1                           | Type   |               |  |
| GF 80 X 100... | 106         | 100 | 12                | 20 | 6                         | 30 | 20                           | VMS18D |               |  |
| GF 80 X 150... | 160         | 150 | 21                | 20 | 10                        | 30 | 20                           | VMS18D |               |  |
| GF 80 X 200... | 206         | 200 | 27                | 20 | 12                        | 34 | 20                           | VMS18D |               |  |
| GF 80 X 220... | 226         | 220 | 30                | 20 | 14                        | 30 | 83                           | VMS18D |               |  |
| GF 80 X 250... | 256         | 250 | 36                | 20 | 16                        | 30 | 34                           | VMS18D |               |  |
| GF 80 X 300... | 306         | 300 | 48                | 18 | 20                        | 30 | 80                           | VMS18D |               |  |

## GF 130 Series



### Features

- ✓ Available with easy connection on various **VMECA** vacuum pump
- ✓ Handles various products with different shapes, sizes and porous material
- ✓ Flexible sealing foam(EPDM) sponge pad grips excellently
- ✓ Adjustable check valve available
- ✓ Durable and light weight aluminum extrusion body frame
- ✓ Easy Installation and low maintenance

## Ordering Information

### GF 130 X 300 - E S - R3 DN - G

①                      ②                      ③ ④                      ⑤                      ⑥                      ⑦

#### ① Gripper Series (Width)

- **GF 130** - 134mm

#### ② Length

- 220 - 220mm
- **300** - 300mm
- 400 - 400mm
- 600 - 600mm
- 800 - 800mm
- 1000 - 1000mm
- 1200 - 1200mm

#### ③ Check Valve

- **E** - Standard
- **A** - Adjustable

#### ④ Port Spacing

- **S** - Narrow
- **W** - Wide

#### ⑤ Release Valve

- **R1** - N/C, AC110V
- **R2** - N/C, AC220V
- **R3** - N/C, DC24V

Valve's selection according to the No. ② Length  
 Under 600mm : VMS18D  
 Over 600mm : VMS14

#### ⑦ Vacuum Switch

- **G** - Dial Gauge Attached (VTG-18)
- - Not attached
- **S2(P)** - Digital output 2 points, No analog supply  
M8-4Pin male connector (0.3m lead wire)
- **SG2(P)** - Digital output 2 points, No analog supply  
(Grommet type 4 core, 2m lead wire)
- **SG3(P)** - Digital output 2 points, Analog Supply  
(Grommet type 5 core, 2m lead wire)

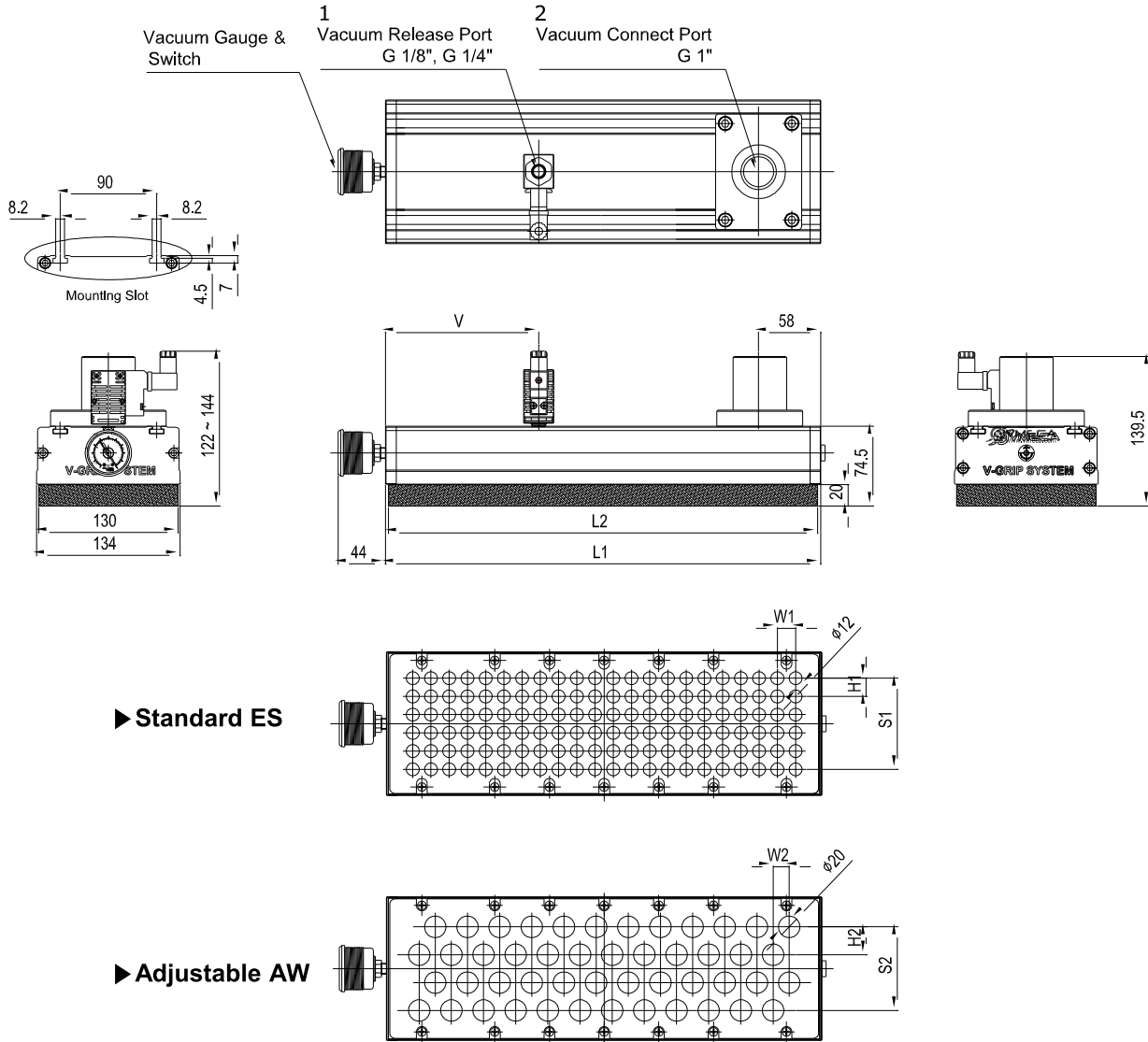
#### ⑥ Solenoid Terminal

- **DN** - DIN type without lead wire
- **DL** - DIN type with lamp without lead wire
- **CL** - lamp & 0.3 m lead wire

※Mark : ① S\_(P)  
 L Output type : PNP open collector  
 ②VC M8-4-2 : M8-4 pin female connector  
 Option for 'S2' or 'S2P'

## Dimensions

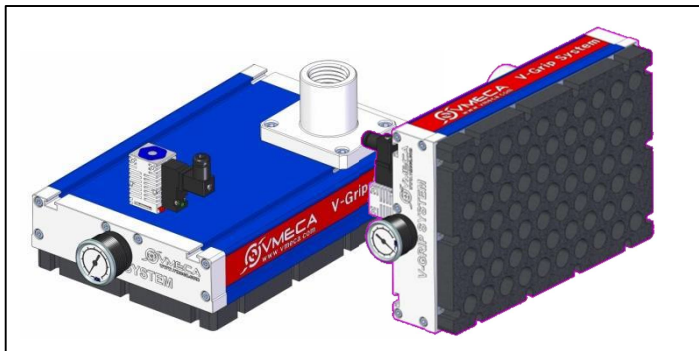
### ▼ GF 130 ... Series



Measure Unit : mm

| Model            | Full Length | Sponge Pad Length | Standard Vacuum Port(Φ12) |     |    |    | Adjustable Vacuum port (Φ20) |      |    |    | Release Valve |        |
|------------------|-------------|-------------------|---------------------------|-----|----|----|------------------------------|------|----|----|---------------|--------|
|                  | L1          |                   | L2                        | No. | W1 | H1 | S1                           | No.  | W2 | H2 | S2            | V      |
| GF 130 X 220...  | 234         | 220               | 66                        | 17  | 17 | 85 | 26                           | 14   | 24 | 72 | 33            | VMS18D |
| GF 130 X 300...  | 314         | 300               | 96                        | 17  | 17 | 85 | 38                           | 14   | 25 | 72 | 33            | VMS18D |
| GF 130 X 400...  | 414         | 400               | 132                       | 17  | 17 | 85 | 48                           | 14   | 26 | 72 | 133           | VMS18D |
| GF 130 X 600...  | 614         | 600               | 156                       | 22  | 18 | 90 | 76                           | 15   | 26 | 78 | 263           | VMS14  |
| GF 130 X 800...  | 814         | 800               | 210                       | 22  | 18 | 90 | 104                          | 15   | 26 | 78 | 263           | VMS14  |
| GF130 X 1000...  | 1028        | 1000              | 348                       | 17  | 17 | 85 | 133                          | 18.5 | 21 | 79 | 263           | VMS14  |
| GF 130 X 1200... | 1214        | 1200              | 324                       | 22  | 18 | 90 | 156                          | 15   | 26 | 78 | 263           | VMS14  |

## GF 200 Series



### ■ Features

- ✓ Available with easy connection on various **VMECA** vacuum pump
- ✓ Handles various products with different shapes, sizes and porous material
- ✓ Flexible sealing foam(EPDM) sponge pad grips excellently
- ✓ Adjustable check valve available
- ✓ Durable and light weight aluminum extrusion body frame
- ✓ Easy Installation and low maintenance

## Ordering Information

### GF 200 X 300 - E S - R3 DN - G

①                      ②                      ③ ④                      ⑤                      ⑥                      ⑦

#### ① G Series (width)

- **GF 200** - 204mm

#### ② Length

- 250 - 250mm
- **300** - 300mm
- 400 - 400mm
- 600 - 600mm
- 800 - 800mm
- 1000 - 1000mm
- 1200 - 1200mm

#### ③ Check Valve

- **E** - Standard
- **A** - Adjustable

#### ④ Port Spacing

- **S** - Narrow
- **W** - Wide

#### ⑤ Release Valve

- **R1** - N/C, AC110V
- **R2** - N/C, AC220V
- **R3** - N/C, DC24V

Valve's selection according to the  
No. ② Length  
Under 600mm : VMS18D  
Over 600mm : VMS14

#### ⑦ Vacuum Switch

- **G** - Dial Gauge Attached (VTG-18)
- - Not attached
- **S2(P)** - Digital output 2 points, No analog supply  
M8-4Pin male connector (0.3m lead wire)
- **SG2(P)** - Digital output 2 points, No analog supply  
(Grommet type 4 core, 2m lead wire)
- **SG3(P)** - Digital output 2 points, Analog Supply  
(Grommet type 5 core, 2m lead wire)

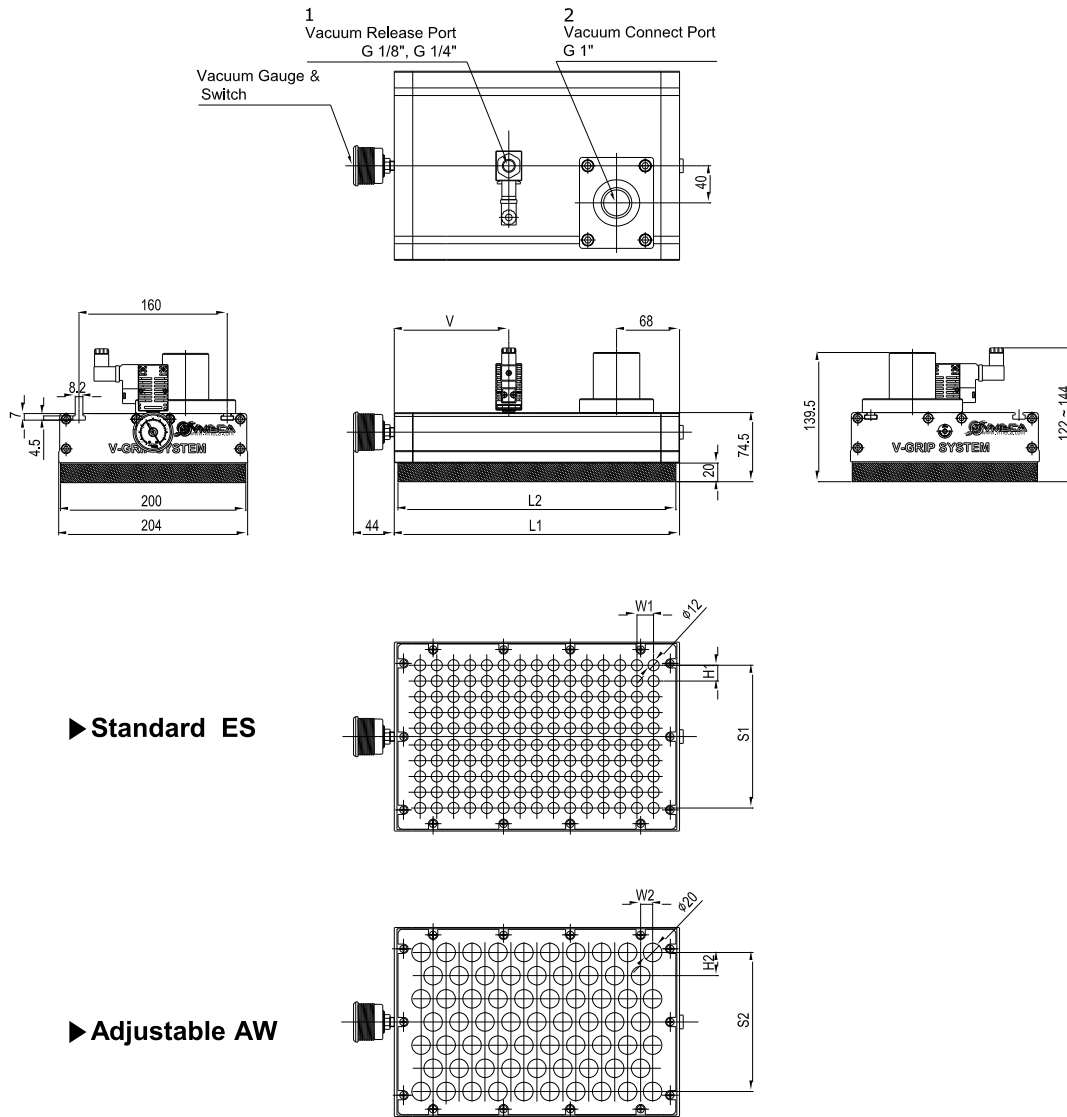
※Mark : ① S\_(P)  
L Output type : PNP open collector  
②VC M8-4-2 : M8-4 pin female connector  
Option for 'S2' or 'S2P'

#### ⑥ Solenoid Terminal

- **DN** - DIN type  
without lead wire
- **DL** - DIN type with lamp  
without lead wire
- **CL** - lamp & 0.3 m lead  
wire

## Dimensions

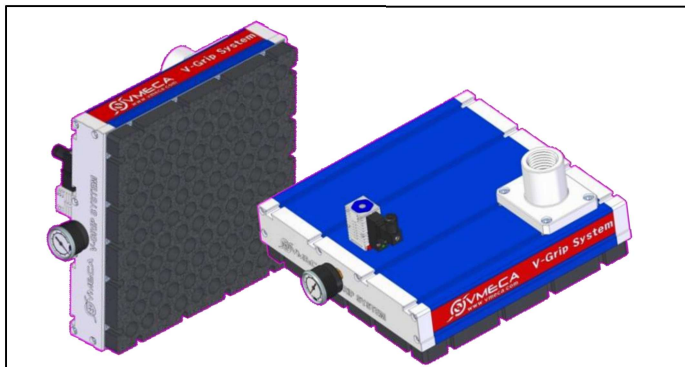
### ▼ GF 200 ... Series



Measure Unit : mm

| Model            | Full Length | Sponge Pad Length | Standard Vacuum Port (Φ12) |    |    | Adjustable Vacuum Port (Φ20) |     |    | Release Valve |     |      |        |
|------------------|-------------|-------------------|----------------------------|----|----|------------------------------|-----|----|---------------|-----|------|--------|
|                  | L1          | L2                | No.                        | W1 | H1 | S1                           | No. | W2 | H2            | S2  | V    | Type   |
| GF 200 X 250...  | 253         | 220               | 110                        | 18 | 17 | 154                          | 53  | 14 | 25            | 150 | 61.7 | VMS18D |
| GF 200 X 300...  | 215         | 300               | 150                        | 18 | 17 | 154                          | 72  | 13 | 25            | 150 | 44   | VMS18D |
| GF 200 X 400...  | 415         | 400               | 120                        | 25 | 22 | 154                          | 112 | 20 | 24            | 148 | 44   | VMS18D |
| GF 200 X 600...  | 615         | 600               | 176                        | 25 | 22 | 154                          | 76  | 20 | 24            | 148 | 44   | VMS14  |
| GF 200 X 800...  | 815         | 800               | 248                        | 25 | 22 | 154                          | 104 | 20 | 24            | 148 | 44   | VMS14  |
| GF200 X 1000...  | 1015        | 1000              | 312                        | 25 | 22 | 154                          | 133 | 20 | 24            | 148 | 44   | VMS14  |
| GF 200 X 1200... | 1215        | 1200              | 376                        | 25 | 22 | 154                          | 156 | 20 | 24            | 148 | 44   | VMS14  |

## GF 300 Series



### Features

- ✓ Available with easy connection on various **VMECA** vacuum pump
- ✓ Handles various products with different shapes, sizes and porous material
- ✓ Flexible sealing foam(EPDM) sponge pad grips excellently
- ✓ Adjustable check valve available
- ✓ Durable and light weight aluminum extrusion body frame
- ✓ Easy Installation and low maintenance

## Ordering Information

### GF 300 X 300 - E S - R3 DN - G

①                      ②                      ③ ④                      ⑤                      ⑥                      ⑦

#### ① G Series (width)

- **GF 300** - 304mm

#### ② Length

- **300** - 300mm
- **400** - 400mm
- **600** - 600mm
- **800** - 800mm
- **1000** - 1000mm
- **1200** - 1200mm

#### ③ Check Valve

- **E** - Standard
- **A** - Adjustable

#### ④ Port Spacing

- **E** - Standard
- **A** - Adjustable

#### ⑤ Release Valve

- **R1** - N/C, AC110V
- **R2** - N/C, AC220V
- **R3** - N/C, DC24V

Valve's selection according to the  
No. ② Length  
Under 600mm : VMS18D  
Over 600mm : VMS14

#### ⑦ Vacuum Switch

- **G** - Dial Gauge Attached (VTG-18)
- - Not attached
- **S2(P)** - Digital output 2 points, No analog supply  
M8-4Pin male connector (0.3m lead wire)
- **SG2(P)** - Digital output 2 points, No analog supply  
(Grommet type 4 core, 2m lead wire)
- **SG3(P)** - Digital output 2 points, Analog Supply  
(Grommet type 5 core, 2m lead wire)

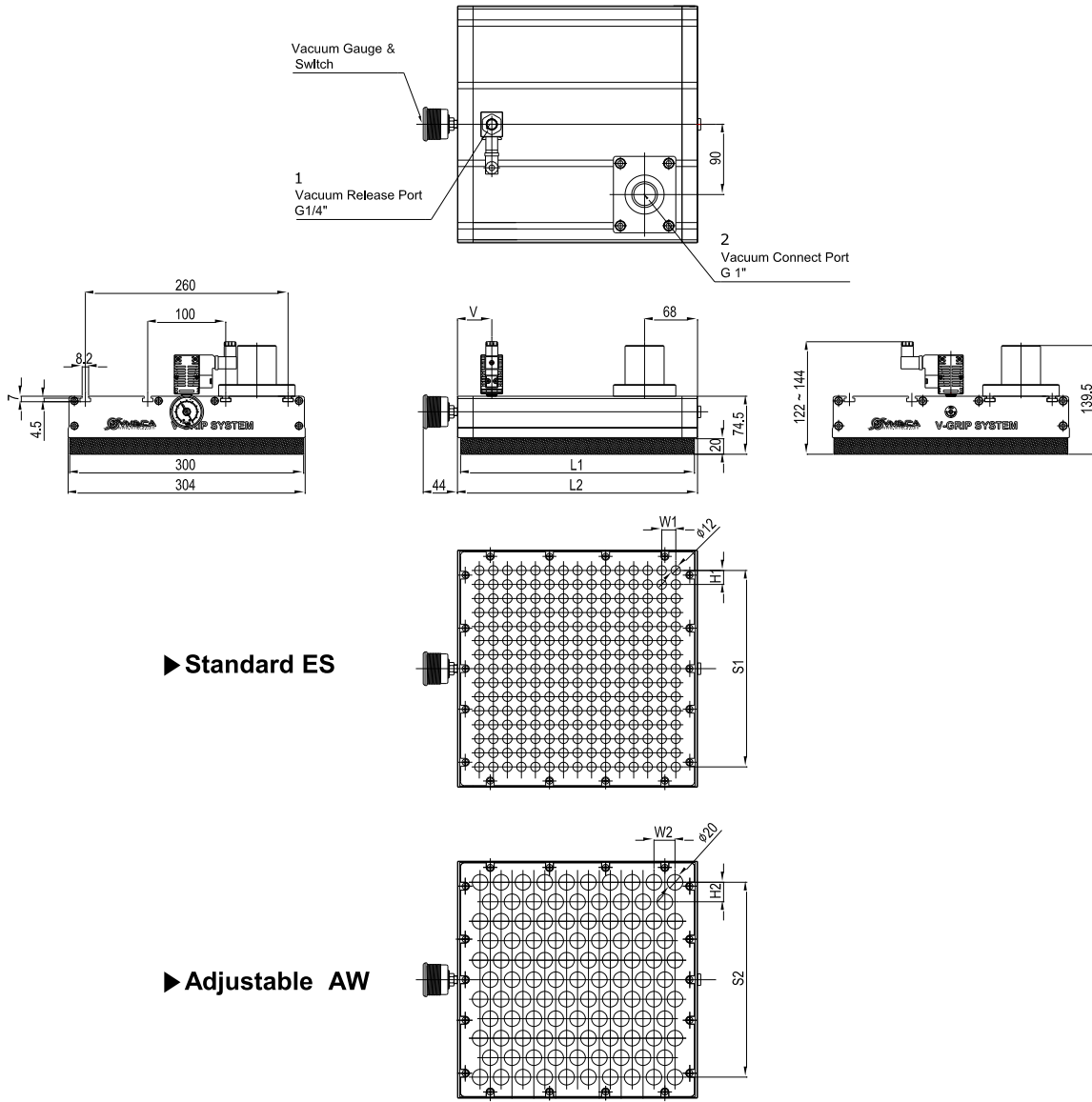
※Mark : ① S.(P)  
L Output type : PNP open collector  
②VC M8-4-2 : M8-4 pin female connector  
Option for 'S2' or 'S2P'

#### ⑥ Solenoid Terminal

- **DN** - DIN type  
without lead wire
- **DL** - DIN type with lamp  
without lead wire
- **CL** - lamp & 0.3 m lead  
wire

## Dimensions

### ▼ GF 300 ... Series



► Standard ES

► Adjustable AW

Measure Unit : mm

| Model            | Full Length | Sponge Pad Length | Standard Vacuum Port (Φ12) |    |    | Adjustable Vacuum port (Φ20) |     |    | Release Valve |     |      |        |
|------------------|-------------|-------------------|----------------------------|----|----|------------------------------|-----|----|---------------|-----|------|--------|
|                  | L1          | L2                | No.                        | W1 | H1 | S1                           | No. | W2 | H2            | S2  | V    | Type   |
| GF 300 X 300...  | 308         | 300               | 225                        | 18 | 18 | 252                          | 105 | 14 | 25            | 250 | 61.7 | VMS18D |
| GF 300 X 400...  | 408         | 400               | 180                        | 25 | 22 | 242                          | 108 | 20 | 25            | 242 | 44   | VMS18D |
| GF 200 X 600...  | 608         | 600               | 176                        | 25 | 22 | 154                          | 76  | 20 | 24            | 148 | 44   | VMS14  |
| GF 200 X 800...  | 808         | 800               | 248                        | 25 | 22 | 154                          | 104 | 20 | 24            | 148 | 44   | VMS14  |
| GF200 X 1000...  | 1008        | 1000              | 312                        | 25 | 22 | 154                          | 133 | 20 | 24            | 148 | 44   | VMS14  |
| GF 200 X 1200... | 1208        | 1200              | 376                        | 25 | 22 | 154                          | 156 | 20 | 24            | 148 | 44   | VMS14  |