

## MV20 Series

### Features

- ▶ Extremely high vacuum flow
- ▶ Non-return function
- ▶ Energy saving
- ▶ Various Magic suction cups
- ▶ Reduce in size by 60+% against competitor



**Magic Grippers**



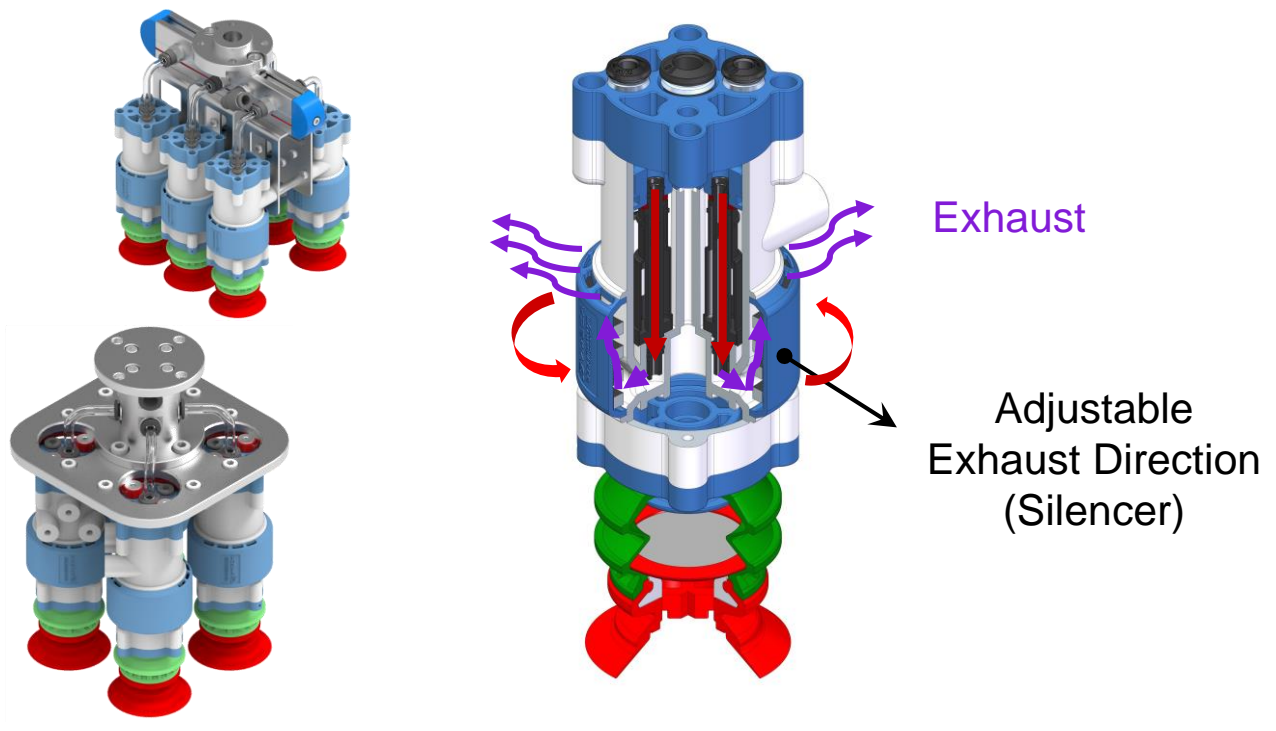
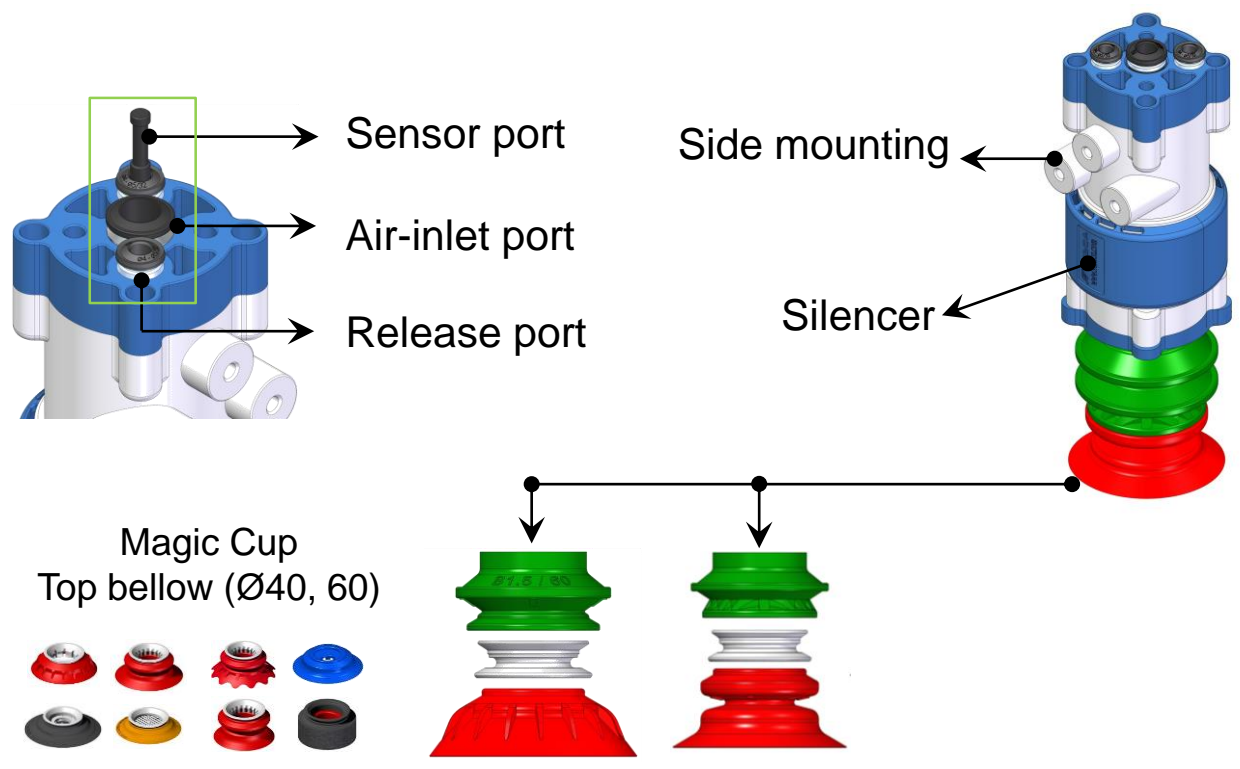
### Specification

Description	MV20-02	MV20-03	MV20-04
Max. Vacuum level	- 90 kPa	- 90 kPa	- 90 kPa
Open Vacuum flow	82.6 NI/min	123.9 NI/min	165.2 NI/min
Max. Feed pressure	7 bar	7 bar	7 bar
Temperature	-20 ~ 80 °C	-20 ~ 80 °C	-20 ~ 80 °C
Noise level	50 ~ 60 dBA	50 ~ 60 dBA	50 ~ 60 dBA

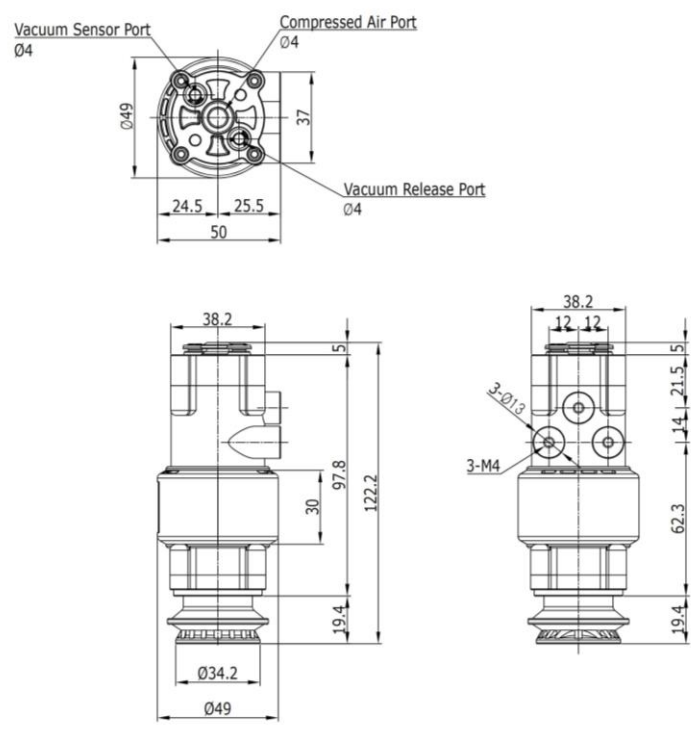
### Vacuum Flow

Model	Max. Vacuum (-kPa)	Feed Pressure (bar)	Air Consumption (NI/min)	Vacuum flow (NI/min) at different vacuum levels (-kPa)									
				0	10	20	30	40	50	60	70	80	90
MV20 - 02	50	1.7	34	70	50.8	25.6	16.6	8	-	-	-	-	-
	65	2.2	40	77.6	59	34	23	16	10.4	2.8	0	-	-
	90	3.14	52	82.6	73.8	52	31.6	22	17.8	13.2	7.8	4	-
	85	4	64	80	73	62	46	28.2	14.6	12.8	7.8	2.6	-
MV20 - 04	50	1.7	68	140	101.6	51.2	33.2	16	0	0	0	0	-
	65	2.2	80	155.2	118	68	46	32	20.8	5.6	0	0	-
	90	3.14	104	165.2	147.6	104	63.2	44	35.6	26.4	15.6	8	-
	85	4	128	160	146	124	92	56.4	29.2	25.6	15.6	5.2	-

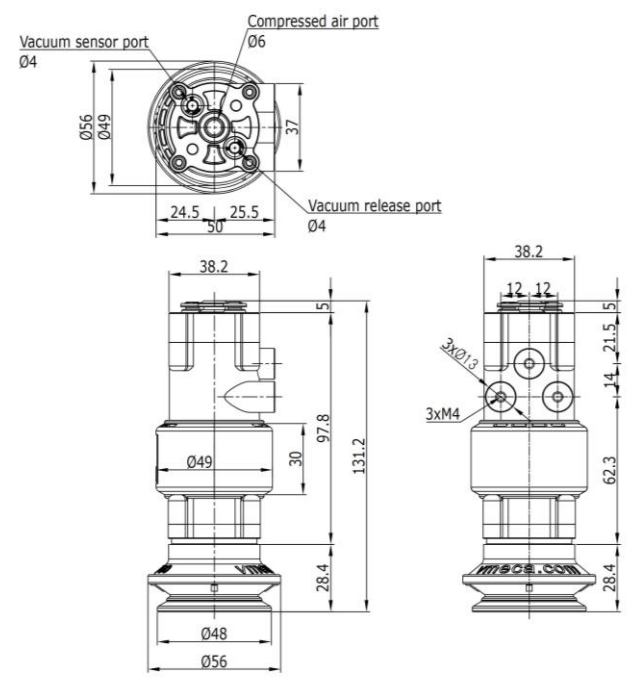
## Structure & Installation



## Dimensions

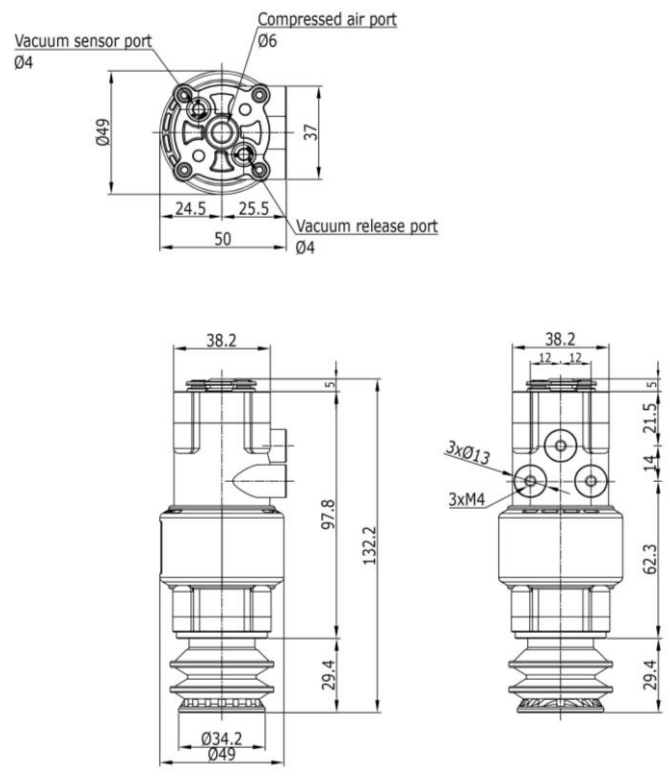


**MV20-(02)-N1B40F**  
[ TB1.5-40 ]

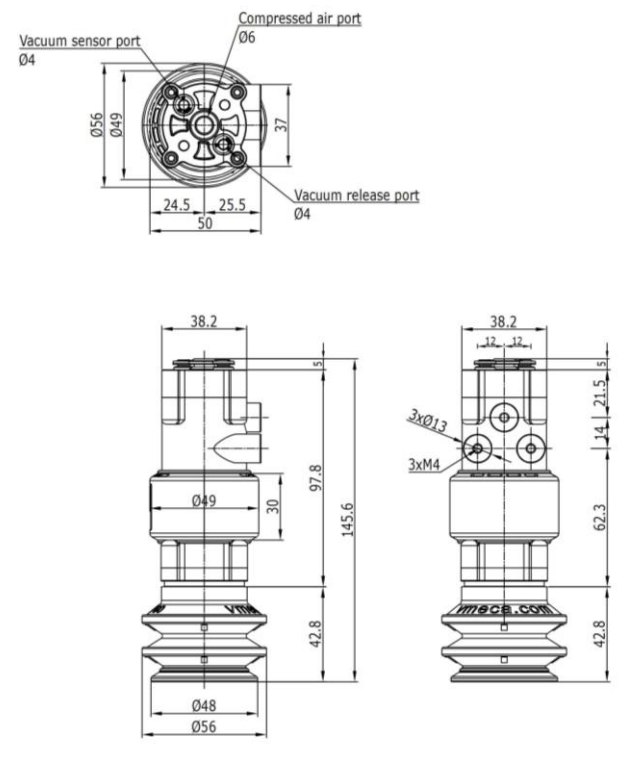


**MV20-(02)-N1B60F**  
[ TB1.5-60 ]

## Dimensions

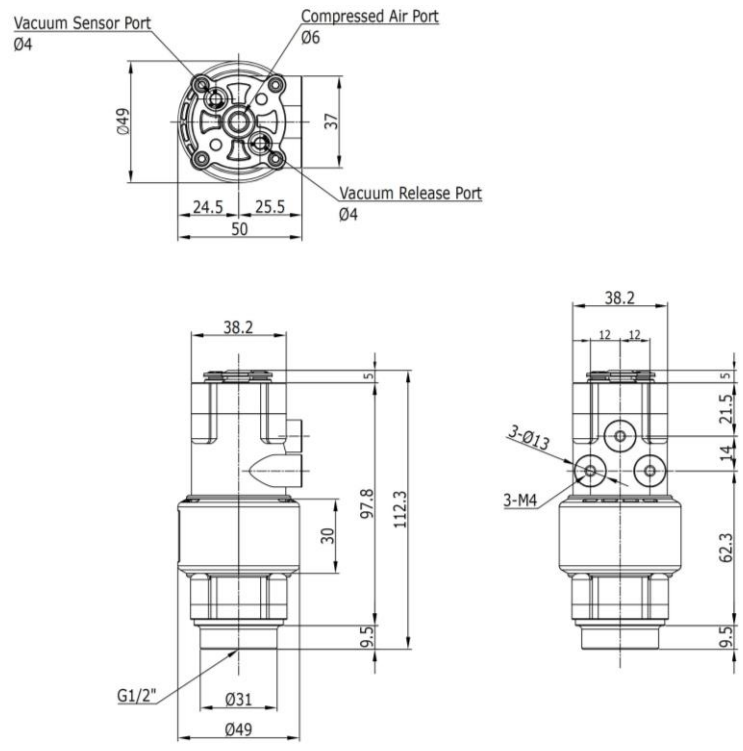


**MV20-(02)-N2B40F**  
[ TB2.5-40 ]



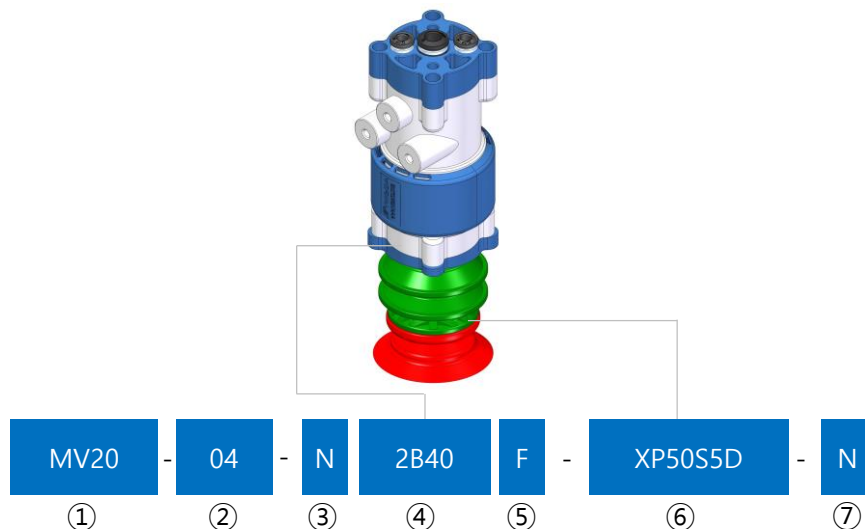
**MV20-(02)-N2B60F**  
[ TB2.5-60 ]

## Dimensions



**MV20-(02)-12F**  
**[ PF1/2" Female ]**

## Build an Order No.



### ① Base pump

Symbol	Description
MV20	Micro cartridge 2-Stage (VC202)

### ② Body type

Symbol	Description
02	Vacuum cartridge 2EA
03	Vacuum cartridge 3EA
04	Vacuum cartridge 4EA

### ③ Sealing

Symbol	Description
N	NBR
E	EPDM
V	Viton

### ④ Top bellows

Symbol	Description
1B40	Top bellows 1 fold, 40mm
1B60	Top bellows 1 fold, 60mm
2B40	Top bellows 2 folds, 40mm
2B60	Top bellows 2 folds, 60mm

### ⑤ Vacuum filter

Symbol	Description
F	Filter (200 mesh)

### ⑥ Suction lip

Symbol	Description
	Please refer to the Magic Cup catalog

### ⑦ Non-return valve

Symbol	Description
Blank	Without non-return valve
N	Non-return valve