

VACUUM PUMPS / VCS pumps

VCS102

Features and Strengths

- Built in level compensator in one body
- Highly operational reliability despite fluctuating or low compressed-air pressure
- Quick response time
- Compact size and light weight



Specifications

Description	VCS102
Max. Vacuum level	-83 kPa
Open Vacuum flow	16 NI/min
Max. Feed pressure	2.2 bar
Temperature	-20 ~ 80 °C
Noise level	50~55 dBA
Weight	28.72 g

Vacuum Flow

Model	Max. vacuum (-kPa)	Feed Pressure (bar)	Vacuum flow (NI/min) at different vacuum levels (-kPa)									
			0	10	20	30	40	50	60	70	80	90
VCS102	50	1.1	11.5	6.3	2.2	1.6	0.7	-	-	-	-	-
	83	1.8	14.2	9.4	3.3	2.2	2	1.4	0.8	0.4	0.18	-
	83	2.2	16	11.9	5.1	2.3	1.4	1.3	0.9	0.3	0.12	-

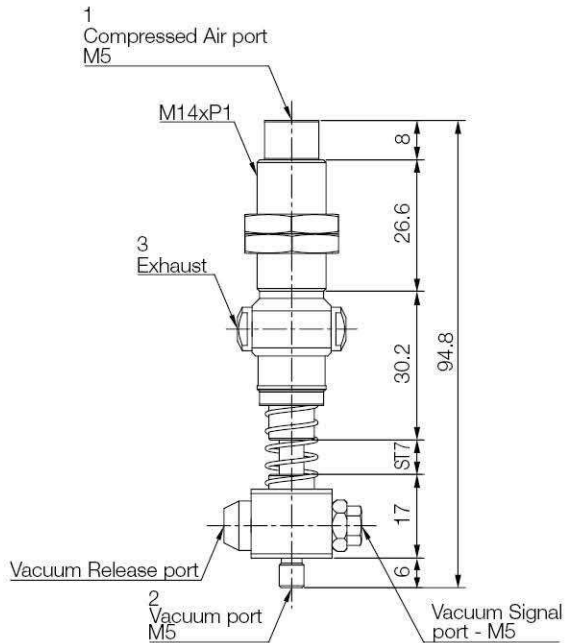
Evacuation Time

Model	Feed Pressure (bar)	Air Consumption (NI/min)	Evacuation time in sec / liter to reach different vacuum levels (-kPa)									
			10	20	30	40	50	60	70	80	90	
VCS102	1.1	5.9	0.68	3	6.1	11.8	27.2	-	-	-	-	
	1.8	8.2	0.4	1.48	4.3	6.9	9.1	15.3	27.4	50.2	-	
	2.2	10	0.34	1.6	3.9	7	10.4	17.5	30.9	61.4	-	

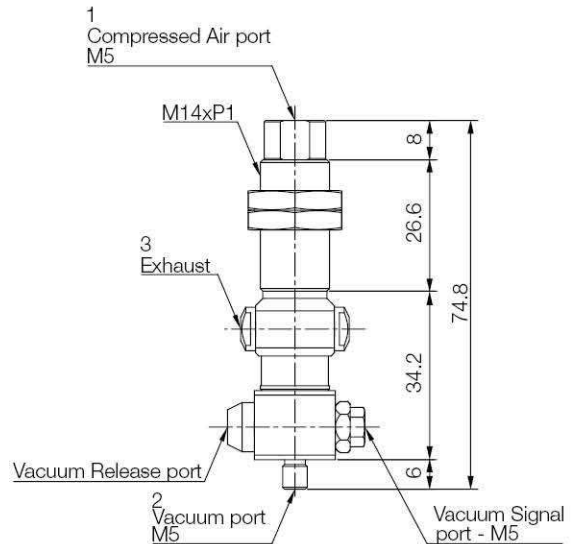
I Dimensions – VCS102 series

[Unit : mm]

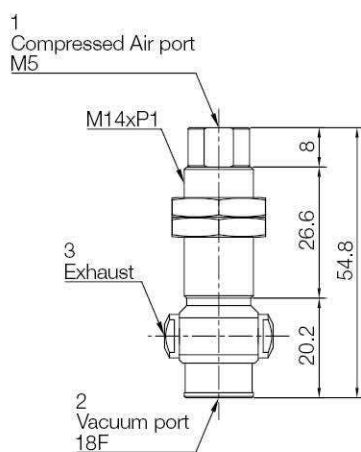
VCS102-LM5
VCS102C-LM5 (C type)



VCS102-LM5 07
VCS102C-LM5 07 (B type)

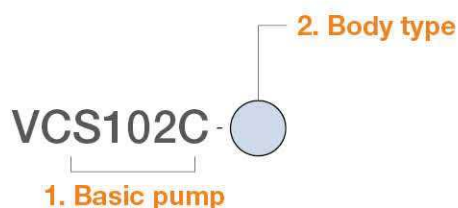


VCS102-L18F (D type)



VACUUM PUMPS / VCS pumps

Build an Ordering No.



1. Basic pump	Description	Symbol
	Vacuum speeder VCS102 series, 2-stage cartridge, No release check valve	VCS102
	Vacuum speeder VCS102 series, 2-stage cartridge, Release check valve	VCS102C
2. Body type	Description	Symbol
	Port size M5 male	LM5
	Port size M5 male, Level compensator 7mm	LM507
	Port size G1/8" female: Only available with VCS102	L18F

Spare Parts – Basic pumps

Part No.	Description	Weight (g)
VCS102-LM5	Vacuum speeder VCS102 series, 2-stage cartridge, No release check valve, Port size M5 male	43
VCS102-LM507	Vacuum speeder VCS102 series, 2-stage cartridge, No release check valve, Port size M5 male, Level compensator 7mm	47
VCS102-L18F	Vacuum speeder VCS102 series, 2-stage cartridge, No release check valve, Port size G1/8" female	28.72
VCS102C-LM5	Vacuum speeder VCS102 series, 2-stage cartridge, Release check valve, Port size M5 male	45
VCS102C-LM507	Vacuum speeder VCS102 series, 2-stage cartridge, Release check valve, Port size M5 male, Level compensator 7mm	46

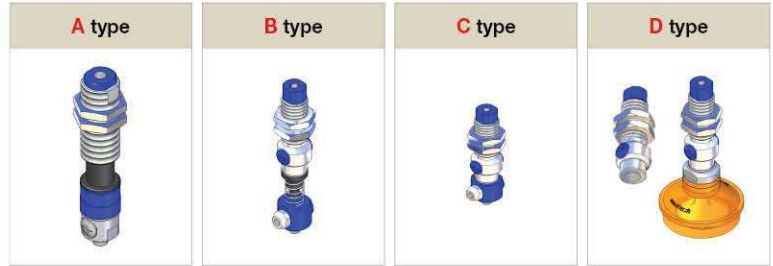
Spare Parts – Cartridges

Part No.	Description
VC102	Micro vacuum cartridge, 2-Stage

VCS202

Features and Strengths

- Built in level compensator in one body
- Highly operational reliability despite fluctuating or low compressed-air pressure
- Quick response time
- Compact size and light weight



Specifications

Description	VCS202
Max. Vacuum level	-90 kPa
Open Vacuum flow	40 NI/min
Max. Feed pressure	7 bar
Temperature	-20 ~ 80 °C
Noise level	55 ~ 65 dBA
Weight	232.82 g

Vacuum Flow

Model	Max. vacuum (-kPa)	Feed Pressure (bar)	Vacuum flow (NI/min) at different vacuum levels (-kPa)									
			0	10	20	30	40	50	60	70	80	90
VCS202	50	1.7	35	25.4	12.8	8.3	4	-	-	-	-	-
	65	2.2	38.8	29.5	17	11.5	8	5.2	1.4	-	-	-
	90	3.14	40	36.9	26	15.8	11	8.9	6.6	3.9	2	-
	85	4	40	42.7	31	23	14.1	7.6	6.4	3.9	1.3	-

Evacuation Time

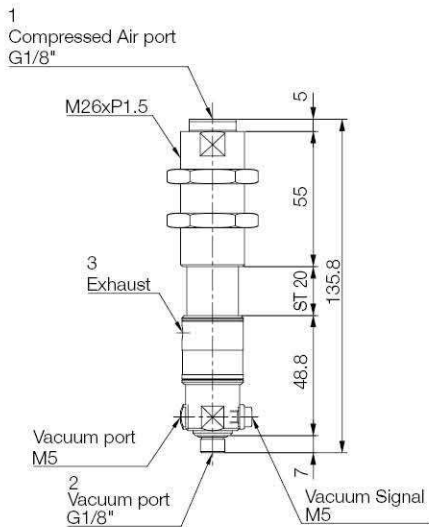
Model	Feed Pressure (bar)	Air Consumption (NI/min)	Evacuation time in sec / liter to reach different vacuum levels (-kPa)									
			10	20	30	40	50	60	70	80	90	
VCS202	1.7	17	0.26	0.59	1.29	2.56	-	-	-	-	-	-
	2.2	20	0.18	0.48	0.95	1.55	2	2.5	-	-	-	-
	3.14	26	0.15	0.37	0.61	1.5	1.5	2	3.8	6.2	-	-
	4	32	0.14	0.39	0.59	0.9	1.2	1.8	3.2	6.9	-	-

VACUUM PUMPS / VCS pumps

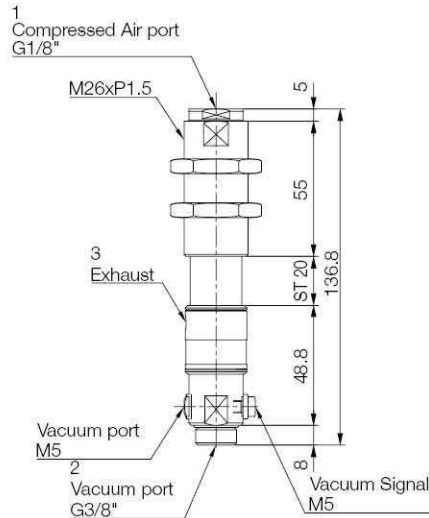
I Dimensions – VCS202 series

[Unit : mm]

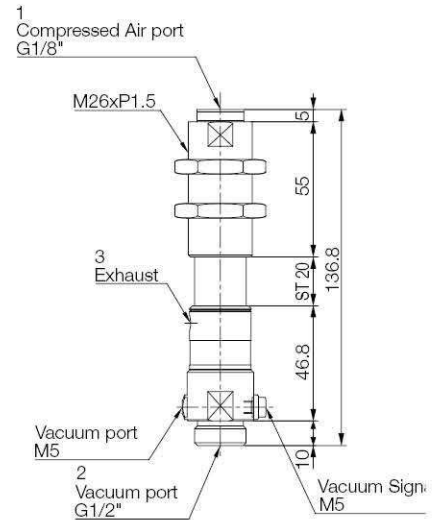
VCS202-18M20
VCS202C-18M20 (A type)



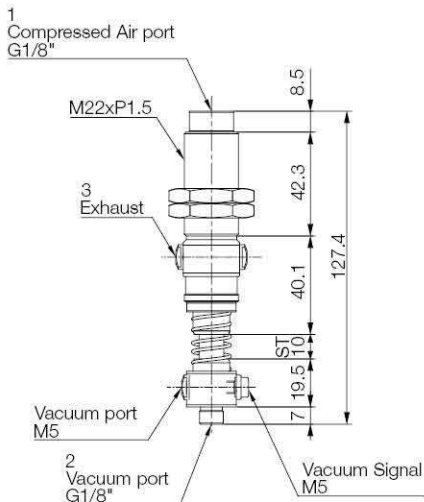
VCS202-38M20
VCS202C-38M20 (A type)



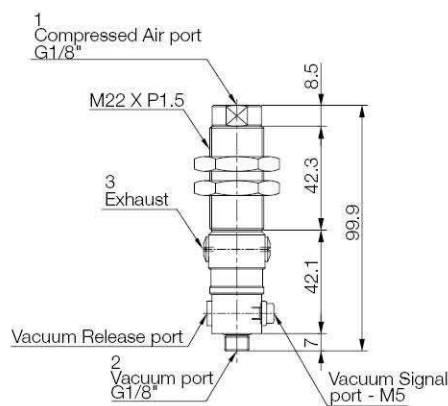
VCS202-12M20
VCS202C-12M20 (A type)



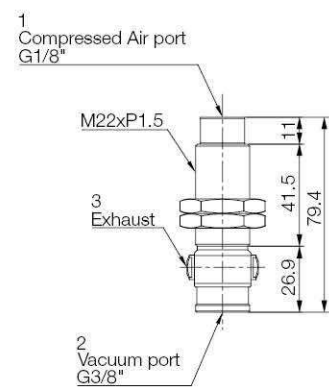
VCS202-L18M 10
VCS202C-L18M 10 (B type)



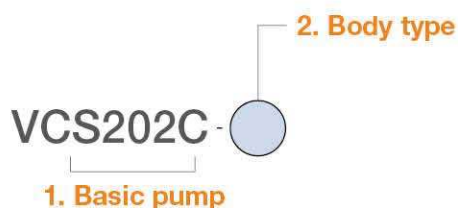
VCS202-L18M
VCS202C-L18M (C type)



VCS202-L38F (D type)



Build an Ordering No.



1. Basic pump	Description	Symbol
	Vacuum speeder VCS202 series, 2-stage cartridge, No release check valve	VCS202
	Vacuum speeder VCS202 series, 2-stage cartridge, Release check valve	VCS202C
2. Body type	Description	Symbol
	Port size G1/8" male, Level compensator 20mm	18M20
	Port size G3/8" male, Level compensator 20mm	38M20
	Port size G1/2" male, Level compensator 20mm	12M20
	Port size G1/8" male	L18M
	Port size G1/8" male, Level compensator 10mm	L18M10
	Port size G3/8" female: Only available with VCS202	L38F

Spare Parts – Basic pumps

Part No.	Description	Weight (g)
VCS202-18M20	Vacuum speeder VCS202 series, 2-stage cartridge, No release check valve, Port size G1/8" male, Level compensator 20mm	228.02
VCS202-38M20	Vacuum speeder VCS202 series, 2-stage cartridge, No release check valve, Port size G3/8" male, Level compensator 20mm	229.2
VCS202-12M20	Vacuum speeder VCS202 series, 2-stage cartridge, No release check valve, Port size G1/2" male, Level compensator 20mm	232.82
VCS202-L18M	Vacuum speeder VCS202 series, 2-stage cartridge, No release check valve, Port size G1/8" male	114.72
VCS202-L18M10	Vacuum speeder VCS202 series, 2-stage cartridge, No release check valve, Port size G3/8" male, Level compensator 10mm	130.56
VCS202-L38F	Vacuum speeder VCS202 series, 2-stage cartridge, No release check valve, Port size G3/8" female	92.25
VCS202C-18M20	Vacuum speeder VCS202 series, 2-stage cartridge, Release check valve, Port size G1/8" male, Level compensator 20mm	228.83
VCS202C-38M20	Vacuum speeder VCS202 series, 2-stage cartridge, Release check valve, Port size G3/8" male, Level compensator 20mm	229.03
VCS202C-12M20	Vacuum speeder VCS202 series, 2-stage cartridge, Release check valve, Port size G1/2" male, Level compensator 20mm	232.6
VCS202C-L18M	Vacuum speeder VCS202 series, 2-stage cartridge, Release check valve, Port size G1/8" male	113.68
VCS202C-L18M10	Vacuum speeder VCS202 series, 2-stage cartridge, Release check valve, Port size G1/8" male, Level compensator 10mm	129.84

Spare Parts – Cartridges

Part No.	Description
VC202	Mini vacuum cartridge, 2-Stage