

SUCTION CUPS / Deep Flat

VDF25

Features and Strengths

Highly fast operation in automobile, glass and wooden panel industry
 Excellent for oily surface products and convex products
 Innovatively designed for slightly curved and flat material

Examples of use

Metal sheets, Car panel, Press metal sheets, Panel,
 Electronic goods, Flat&curved glass



Recommended Lifting Force (Max.)

Model	Volume (cm ³)	Lifting Force (Kg) - Perpendicular			Lifting Force (Kg) - Parallel		
		- 20 kPa	- 60 kPa	- 90 kPa	- 20 kPa	- 60 kPa	- 90 kPa
VDF25	1.50	1.40	3.00	4.10	0.70	1.90	2.90

※ The lifting force above does not include safety factor

Material Specifications

Material	Hardness Shore (°)	Color	Temperature (°C)
Polyurethane	60	Translucent Orange	0~60

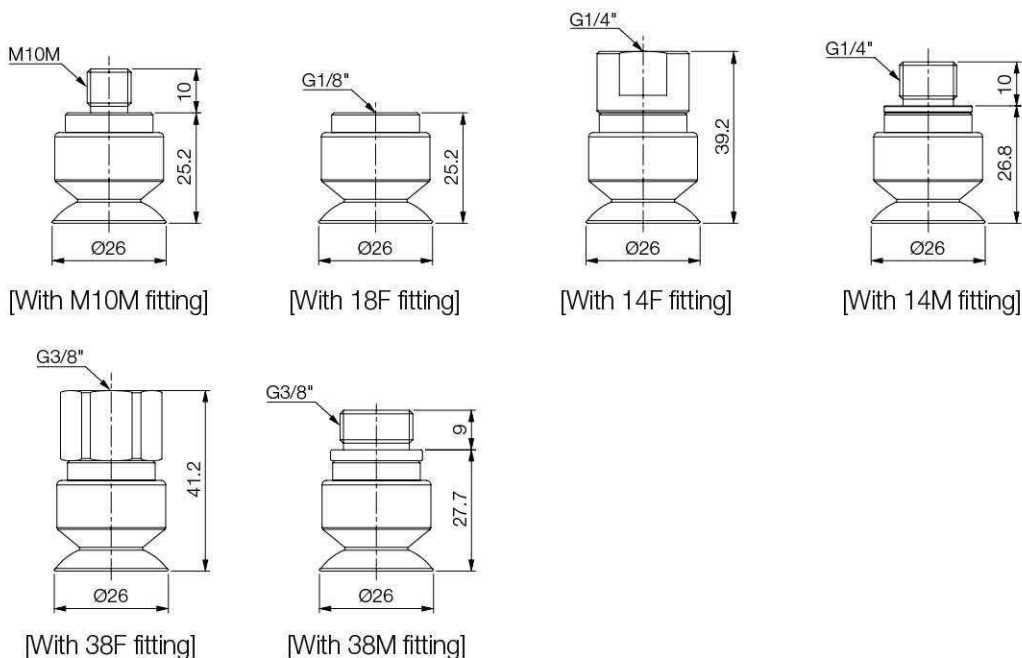
※ For additional material, see page 32~33

Material Resistance

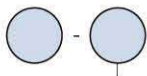
Description	Polyurethane
Wear Resistance	Excellent
Oil	Excellent
Weather / Ozone	Excellent
Alcohol	Fair
Acid	Fair

Dimension

[Unit : mm]



I Build an Ordering No.

VDF25 -  - 
1. Suction Cup

: Pre-mounted fitting

1. Suction cup	Description	Weight (g)	Symbol
	Deep-flat suction cup, 25mm diameter, Polyurethane, M10xP1.5 male fitting	17	VDF25-PU-M10M
	Deep-flat suction cup, 25mm diameter, Polyurethane, G1/8 female fitting	15.12	VDF25-PU-18F
	Deep-flat suction cup, 25mm diameter, Polyurethane, G1/4 female fitting	14.28	VDF25-PU-14F
	Deep-flat suction cup, 25mm diameter, Polyurethane, G1/4 male fitting	19.06	VDF25-PU-14M
	Deep-flat suction cup, 25mm diameter, Polyurethane, G3/8 female fitting	23.16	VDF25-PU-38F
	Deep-flat suction cup, 25mm diameter, Polyurethane, G3/8 male fitting	21.55	VDF25-PU-38M

SUCTION CUPS / Deep Flat

VDF30

Features and Strengths

Highly fast operation in automobile, glass and wooden panel industry
 Excellent for oily surface products and convex products
 Innovatively designed for slightly curved and flat material

Examples of use

Metal sheets, Car panel, Press metal sheets, Panel,
 Electronic goods, Flat&curved glass



Recommended Lifting Force (Max.)

Model	Volume (cm ³)	Lifting Force (Kg) - Perpendicular			Lifting Force (Kg) - Parallel		
		- 20 kPa	- 60 kPa	- 90 kPa	- 20 kPa	- 60 kPa	- 90 kPa
VDF30	2.70	1.80	4.40	5.70	1.00	2.80	3.80

※ The lifting force above does not include safety factor

Material Specifications

Material	Hardness Shore (°)	Color	Temperature (°C)
Polyurethane	60	Translucent Orange	0~60

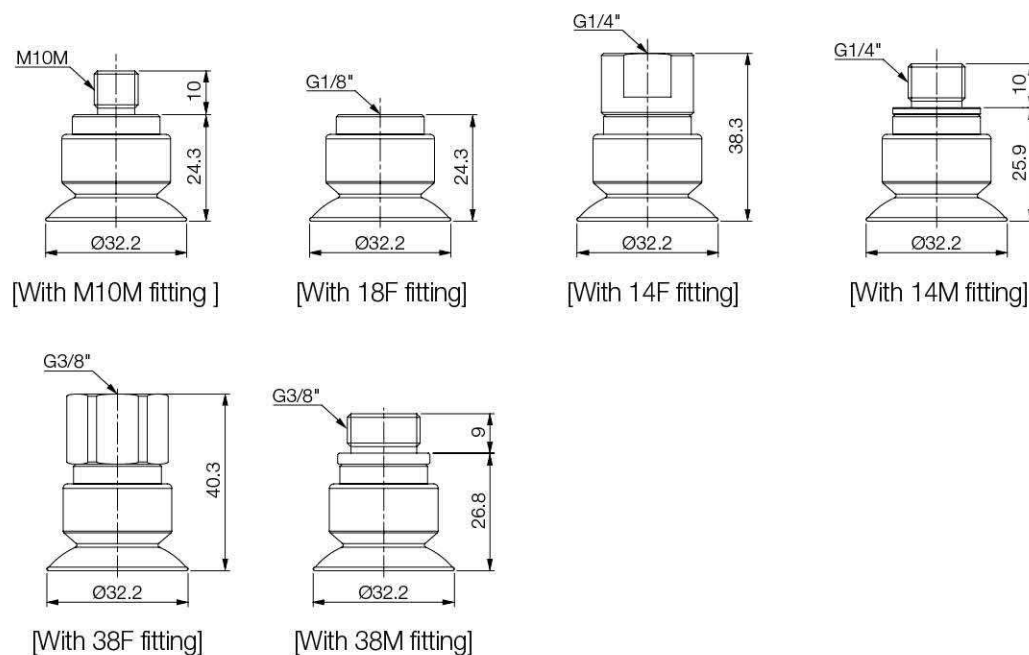
※ For additional material, see page 32~33

Material Resistance

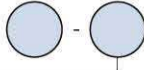
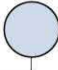
Description	Polyurethane
Wear Resistance	Excellent
Oil	Excellent
Weather / Ozone	Excellent
Alcohol	Fair
Acid	Fair

Dimension

[Unit : mm]



Build an Ordering No.

VDF30 -  - 

1. Suction Cup

: Pre-mounted fitting

1. Suction cup	Description	Weight (g)	Symbol
	Deep-flat suction cup, 30mm diameter, Polyurethane, M10xP1.5 male fitting	17.2	VDF30-PU-M10M
	Deep-flat suction cup, 30mm diameter, Polyurethane, G1/8 female fitting	16.02	VDF30-PU-18F
	Deep-flat suction cup, 30mm diameter, Polyurethane, G1/4 female fitting	16.32	VDF30-PU-14F
	Deep-flat suction cup, 30mm diameter, Polyurethane, G1/4 male fitting	19.96	VDF30-PU-14M
	Deep-flat suction cup, 30mm diameter, Polyurethane, G3/8 female fitting	24.06	VDF30-PU-38F
	Deep-flat suction cup, 30mm diameter, Polyurethane, G3/8 male fitting	22.45	VDF30-PU-38M

SUCTION CUPS / Deep Flat

VDF40

Features and Strengths

Highly fast operation in automobile, glass and wooden panel industry
 Excellent for oily surface products and convex products
 Innovatively designed for slightly curved and flat material

Examples of use

Metal sheets, Car panel, Press metal sheets, Panel,
 Electronic goods, Flat&curved glass



Recommended Lifting Force (Max.)

Model	Volume (cm ³)	Lifting Force (Kg) - Perpendicular			Lifting Force (Kg) - Parallel		
		- 20 kPa	- 60 kPa	- 90 kPa	- 20 kPa	- 60 kPa	- 90 kPa
VDF40	7.00	2.70	6.20	8.30	2.40	4.70	7.10

※ The lifting force above does not include safety factor

Material Specifications

Material	Hardness Shore (°)	Color	Temperature (°C)
Polyurethane	60	Translucent Orange	0~60

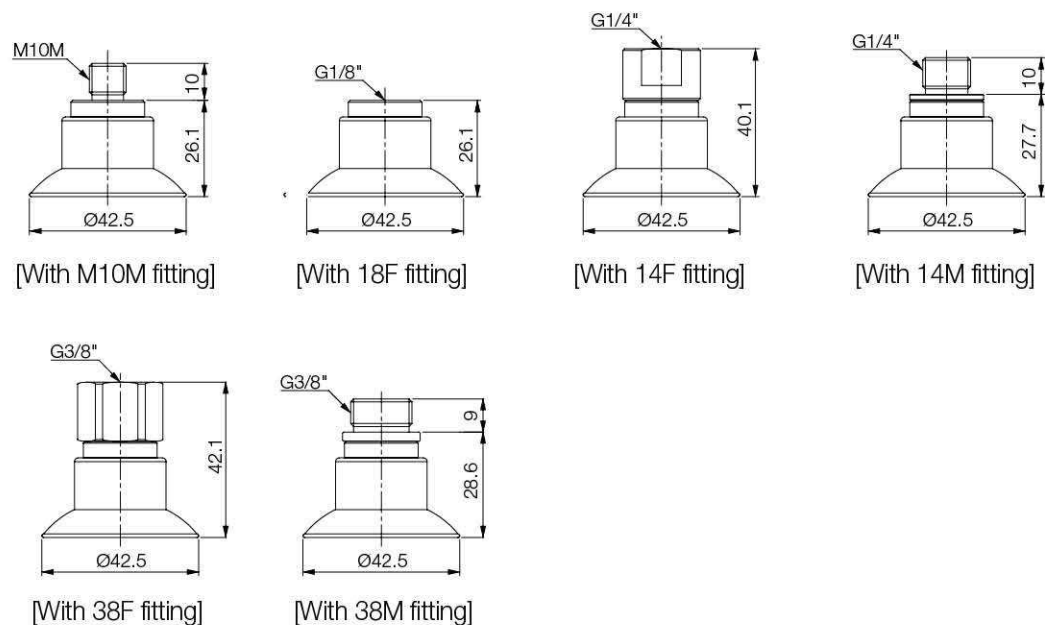
※ For additional material, see page 32~33

Material Resistance

Description	Polyurethane
Wear Resistance	Excellent
Oil	Excellent
Weather / Ozone	Excellent
Alcohol	Fair
Acid	Fair

Dimension

[Unit : mm]



Build an Ordering No.

VDF40 -  - 
 1. Suction Cup

: Pre-mounted fitting

1. Suction cup	Description	Weight (g)	Symbol
	Deep-flat suction cup, 40mm diameter, Polyurethane, M10xP1.5 male fitting	18.5	VDF40-PU-M10M
	Deep-flat suction cup, 40mm diameter, Polyurethane, G1/8 female fitting	17.95	VDF40-PU-18F
	Deep-flat suction cup, 40mm diameter, Polyurethane, G1/4 female fitting	14.89	VDF40-PU-14F
	Deep-flat suction cup, 40mm diameter, Polyurethane, G1/4 male fitting	21.89	VDF40-PU-14M
	Deep-flat suction cup, 40mm diameter, Polyurethane, G3/8 female fitting	25.99	VDF40-PU-38F
	Deep-flat suction cup, 40mm diameter, Polyurethane, G3/8 male fitting	24.38	VDF40-PU-38M

SUCTION CUPS / Deep Flat

VDF50

Features and Strengths

Highly fast operation in automobile, glass and wooden panel industry
 Excellent for oily surface products and convex products
 Innovatively designed for slightly curved and flat material

Examples of use

Metal sheets, Car panel, Press metal sheets, Panel,
 Electronic goods, Flat&curved glass



Recommended Lifting Force (Max.)

Model	Volume (cm ³)	Lifting Force (Kg) - Perpendicular			Lifting Force (Kg) - Parallel		
		- 20 kPa	- 60 kPa	- 90 kPa	- 20 kPa	- 60 kPa	- 90 kPa
VDF50	14.00	4.10	10.10	14.00	3.50	9.20	18.50

※ The lifting force above does not include safety factor

Material Specifications

Material	Hardness Shore (°)	Color	Temperature (°C)
Polyurethane	60	Translucent Orange	0~60

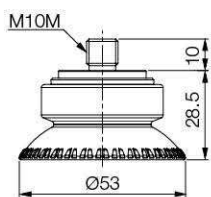
※ For additional material, see page 32~33

Material Resistance

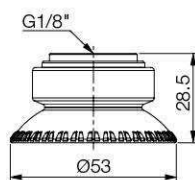
Description	Polyurethane
Wear Resistance	Excellent
Oil	Excellent
Weather / Ozone	Excellent
Alcohol	Fair
Acid	Fair

Dimension

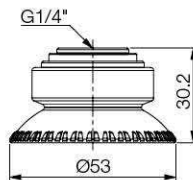
[Unit : mm]



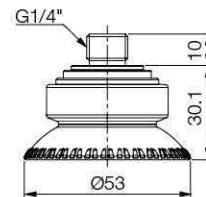
[With M10M fitting]



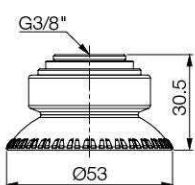
[With 18F fitting]



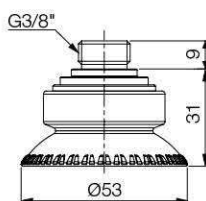
[With 14F fitting]



[With 14M fitting]



[With 38F fitting]



[With 38M fitting]

Build an Ordering No.

VDF50 -  - 
1. Suction Cup

: Pre-mounted fitting

1. Suction cup	Description	Weight (g)	Symbol
	Deep-flat suction cup, 50mm diameter, Polyurethane, M10xP1.5 male fitting	40.9	VDF50-PU-M10M
	Deep-flat suction cup, 50mm diameter, Polyurethane, G1/8 female fitting	40.22	VDF50-PU-18F
	Deep-flat suction cup, 50mm diameter, Polyurethane, G1/4 female fitting	49.3	VDF50-PU-14F
	Deep-flat suction cup, 50mm diameter, Polyurethane, G1/4 male fitting	44.16	VDF50-PU-14M
	Deep-flat suction cup, 50mm diameter, Polyurethane, G3/8 female fitting	38.18	VDF50-PU-38F
	Deep-flat suction cup, 50mm diameter, Polyurethane, G3/8 male fitting	46.65	VDF50-PU-38M

SUCTION CUPS / Deep Flat

VDF60

Features and Strengths

Highly fast operation in automobile, glass and wooden panel industry
 Excellent for oily surface products and convex products
 Innovatively designed for slightly curved and flat material

Examples of use

Metal sheets, Car panel, Press metal sheets, Panel,
 Electronic goods, Flat&curved glass



Recommended Lifting Force (Max.)

Model	Volume (cm ³)	Lifting Force (Kg) - Perpendicular			Lifting Force (Kg) - Parallel		
		- 20 kPa	- 60 kPa	- 90 kPa	- 20 kPa	- 60 kPa	- 90 kPa
VDF60	24.00	5.60	13.70	19.00	4.30	13.80	24.50

※ The lifting force above does not include safety factor

Material Specifications

Material	Hardness Shore (°)	Color	Temperature (°C)
Polyurethane	60	Translucent Orange	0~60

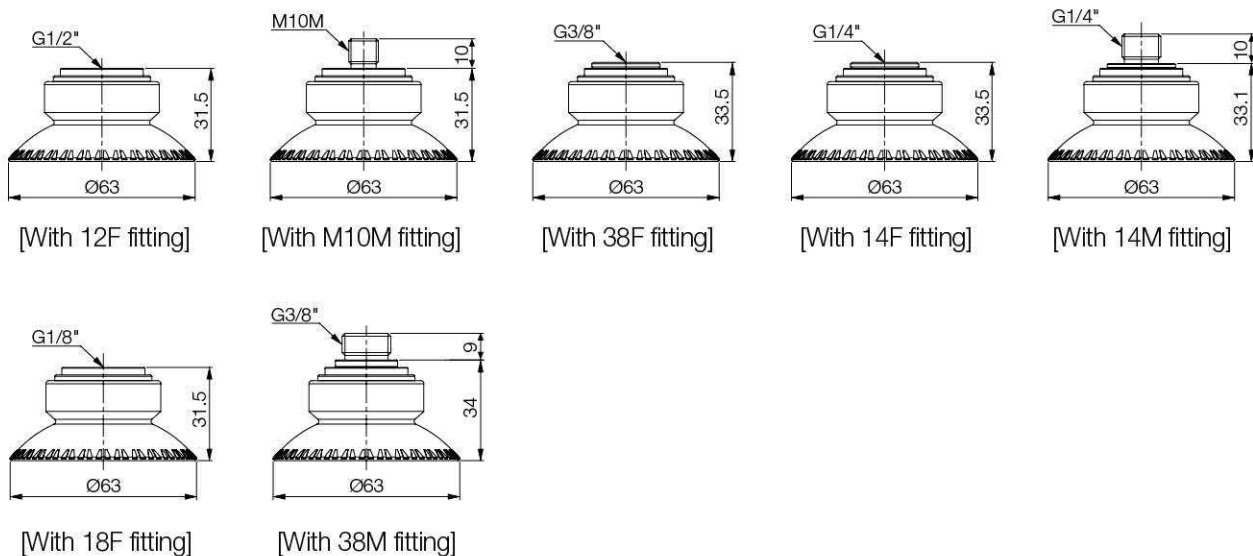
※ For additional material, see page 32~33

Material Resistance

Description	Polyurethane
Wear Resistance	Excellent
Oil	Excellent
Weather / Ozone	Excellent
Alcohol	Fair
Acid	Fair

Dimension

[Unit : mm]



Build an Ordering No.

VDF60 -  - 

1. Suction Cup

: Pre-mounted fitting

1. Suction cup	Description	Weight (g)	Symbol
	Deep-flat suction cup, 60mm diameter, Polyurethane, M10xP1.5 male fitting	44.3	VDF60-PU-M10M
	Deep-flat suction cup, 60mm diameter, Polyurethane, G1/8 female fitting	55.42	VDF60-PU-18F
	Deep-flat suction cup, 60mm diameter, Polyurethane, G1/4 female fitting	39.52	VDF60-PU-14F
	Deep-flat suction cup, 60mm diameter, Polyurethane, G1/4 male fitting	59.36	VDF60-PU-14M
	Deep-flat suction cup, 60mm diameter, Polyurethane, G3/8 female fitting	52.17	VDF60-PU-38F
	Deep-flat suction cup, 60mm diameter, Polyurethane, G3/8 male fitting	44.94	VDF60-PU-38M
	Deep-flat suction cup, 60mm diameter, Polyurethane, G1/2 female fitting	34.08	VDF60-PU-12F

SUCTION CUPS / Deep Flat

VDF80

Features and Strengths

Highly fast operation in automobile, glass and wooden panel industry
 Excellent for oily surface products and convex products
 Innovatively designed for slightly curved and flat material

Examples of use

Metal sheets, Car panel, Press metal sheets, Panel,
 Electronic goods, Flat&curved glass



Recommended Lifting Force (Max.)

Model	Volume (cm ³)	Lifting Force (Kg) - Perpendicular			Lifting Force (Kg) - Parallel		
		- 20 kPa	- 60 kPa	- 90 kPa	- 20 kPa	- 60 kPa	- 90 kPa
VDF80	50.50	8.60	21.20	29.30	7.20	18.50	27.00

※ The lifting force above does not include safety factor

Material Specifications

Material	Hardness Shore (°)	Color	Temperature (°C)
Polyurethane	60	Translucent Orange	0~60

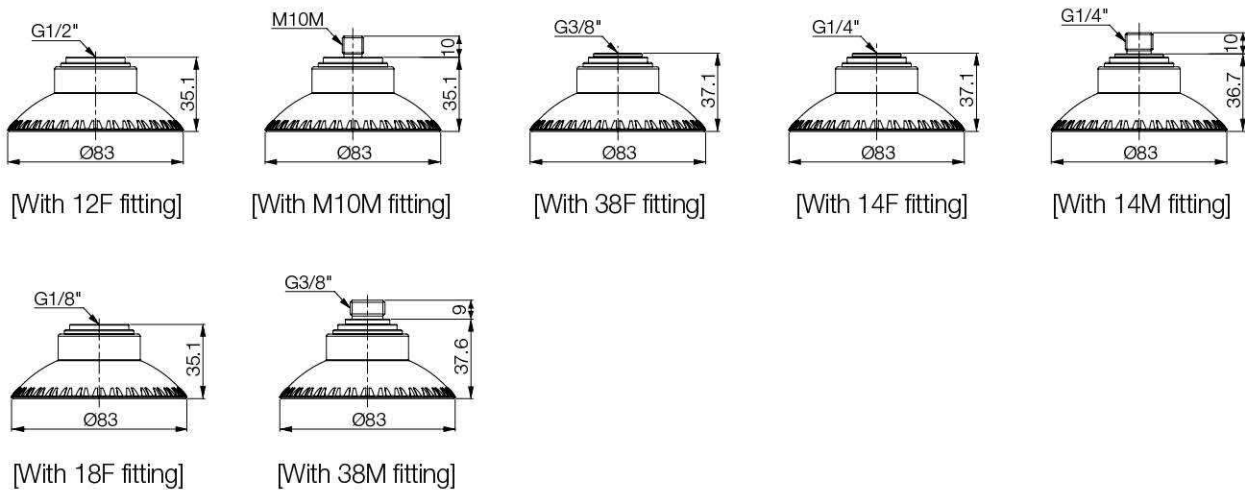
※ For additional material, see page 32~33

Material Resistance

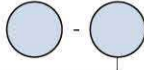
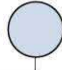
Description	Polyurethane
Wear Resistance	Excellent
Oil	Excellent
Weather / Ozone	Excellent
Alcohol	Fair
Acid	Fair

Dimension

[Unit : mm]



Build an Ordering No.

VDF80 -  - 
1. Suction Cup

: Pre-mounted fitting

1. Suction cup	Description	Weight (g)	Symbol
	Deep-flat suction cup, 80mm diameter, Polyurethane, M10xP1.5 male fitting	52.13	VDF80-PU-M10M
	Deep-flat suction cup, 80mm diameter, Polyurethane, G1/8 female fitting	48.62	VDF80-PU-18F
	Deep-flat suction cup, 80mm diameter, Polyurethane, G1/4 female fitting	47.94	VDF80-PU-14F
	Deep-flat suction cup, 80mm diameter, Polyurethane, G1/4 male fitting	53.88	VDF80-PU-14M
	Deep-flat suction cup, 80mm diameter, Polyurethane, G3/8 female fitting	45.7	VDF80-PU-38F
	Deep-flat suction cup, 80mm diameter, Polyurethane, G3/8 male fitting	53.36	VDF80-PU-38M
	Deep-flat suction cup, 80mm diameter, Polyurethane, G1/2 female fitting	42.5	VDF80-PU-12F

SUCTION CUPS / Deep Flat

VDF100

Features and Strengths

Highly fast operation in automobile, glass and wooden panel industry
 Excellent for oily surface products and convex products
 Innovatively designed for slightly curved and flat material

Examples of use

Metal sheets, Car panel, Press metal sheets, Panel,
 Electronic goods, Flat&curved glass



Recommended Lifting Force (Max.)

Model	Volume (cm ³)	Lifting Force (Kg) - Perpendicular			Lifting Force (Kg) - Parallel		
		- 20 kPa	- 60 kPa	- 90 kPa	- 20 kPa	- 60 kPa	- 90 kPa
VDF100	94.00	12.60	30.80	41.70	12.30	28.20	39.60

※ The lifting force above does not include safety factor

Material Specifications

Material	Hardness Shore (°)	Color	Temperature (°C)
Polyurethane	60	Translucent Orange	0~60

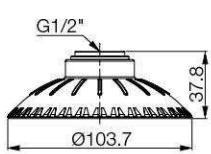
※ For additional material, see page 32~33

Material Resistance

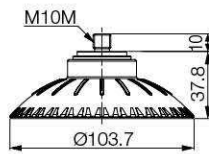
Description	Polyurethane
Wear Resistance	Excellent
Oil	Excellent
Weather / Ozone	Excellent
Alcohol	Fair
Acid	Fair

Dimension

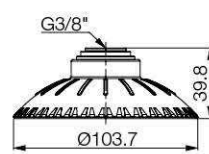
[Unit : mm]



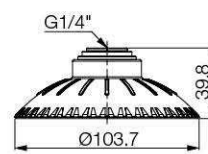
[With 12F fitting]



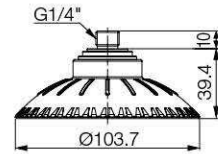
[With M10M fitting]



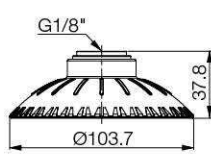
[With 38F fitting]



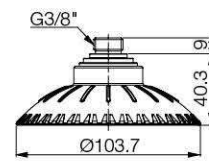
[With 14F fitting]



[With 14M fitting]



[With 18F fitting]



[With 38M fitting]

I Build an Ordering No.

VDF100 -  - 

1. Suction Cup

: Pre-mounted fitting

1. Suction cup	Description	Weight (g)	Symbol
	Deep-flat suction cup, 100mm diameter, Polyurethane, M10xP1.5 male fitting	63.15	VDF100-PU-M10M
	Deep-flat suction cup, 100mm diameter, Polyurethane, G1/8 female fitting	59.42	VDF100-PU-18F
	Deep-flat suction cup, 100mm diameter, Polyurethane, G1/4 female fitting	57.14	VDF100-PU-14F
	Deep-flat suction cup, 100mm diameter, Polyurethane, G1/4 male fitting	64.23	VDF100-PU-14M
	Deep-flat suction cup, 100mm diameter, Polyurethane, G3/8 female fitting	56.52	VDF100-PU-38F
	Deep-flat suction cup, 100mm diameter, Polyurethane, G3/8 male fitting	64.23	VDF100-PU-38M
	Deep-flat suction cup, 100mm diameter, Polyurethane, G1/2 female fitting	53.32	VDF100-PU-12F