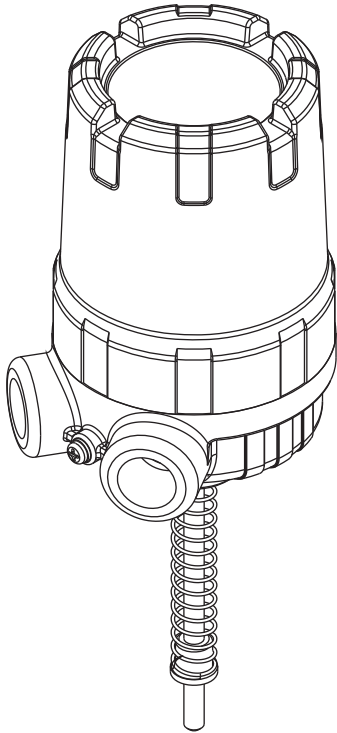


**Explosion proof position transmitter for reliable valve position feedback with 4-20mA output signal**



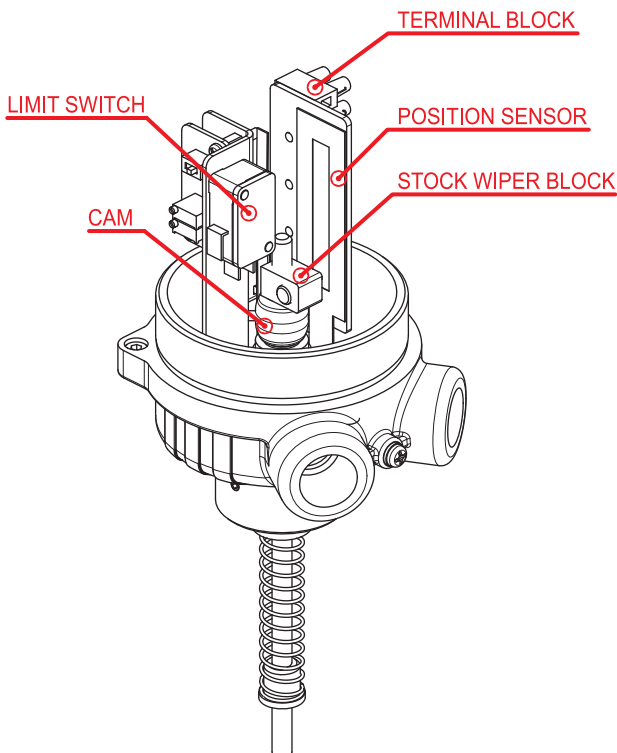
### Features

- ▶ Rugged aluminum die-cast housing
- ▶ Optional 2 x SPDT limit switch or 2 x P&F proximity sensor NJ2-V3-N

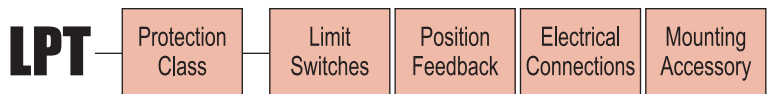


### Specifications

	LPT
Current Output Signal	4...20mA, 2-wire
Power Supply Range	12...30Vdc (24Vdc recommendable)
Stroke	Max. 40mm
Linearity	1.0% F.S.
Repeatability	0.25% F.S.
Hysteresis	1.0% F.S.
Operating Temperature	-40...75°C (T6), -40...90°C (T5), -40...110°C (T4)
Explosion Proof Class	Ex d IIC T6 / T5 / T4
Protection Class	IP66
Electrical Connections	PF1/2, NPT1/2, M20x1.5
Weight	0.75 kg

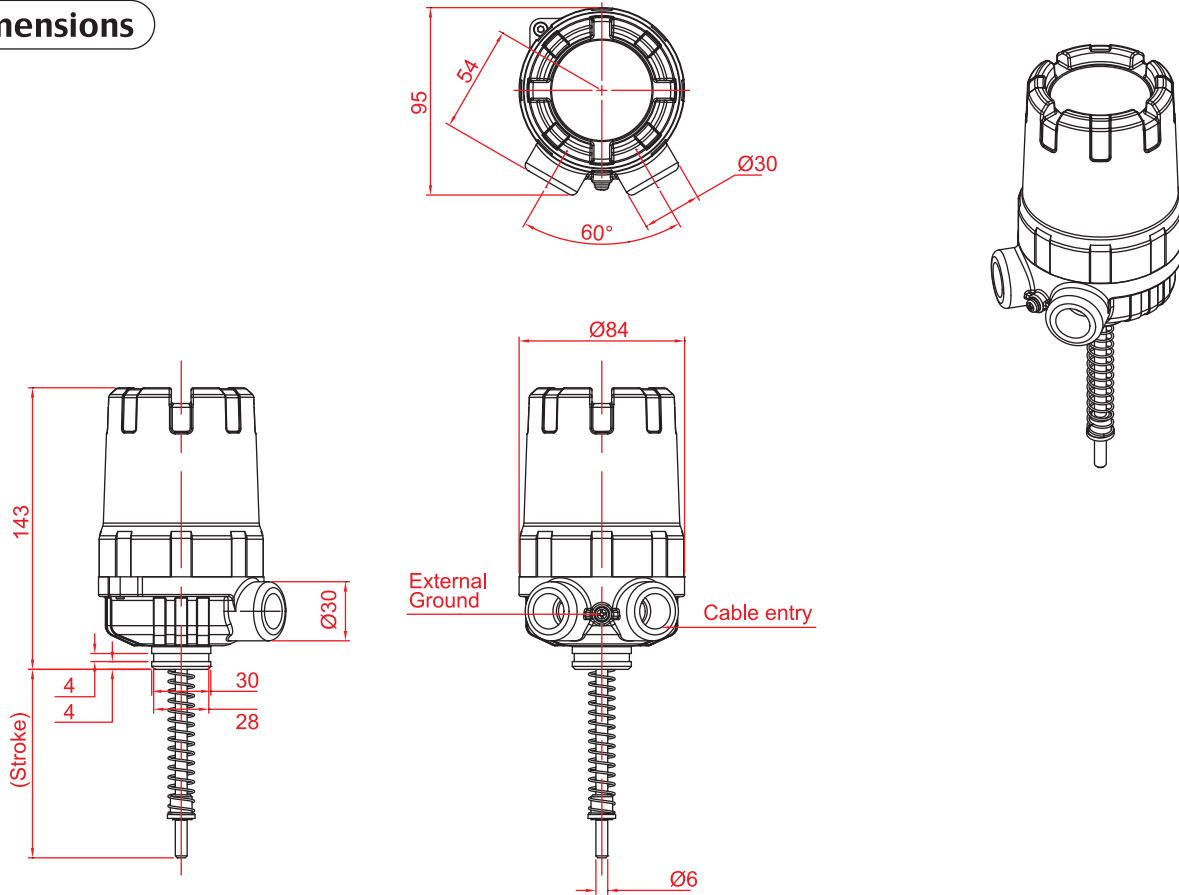


### How to Order

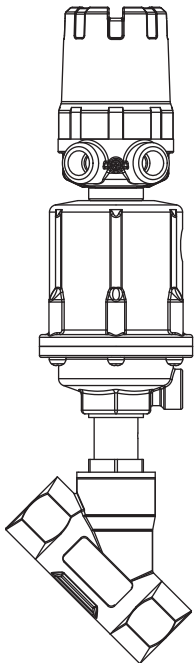


Description	Code
<b>Protection Class :</b>	K : KC flameproof Ex d IIC T6/T5
<b>Limit switches :</b>	0 : None 1 : 2 x Mechanical Switch (SPDT) 2 : 2 x Proximity Sensor (NJ2-V3-N) 3 : 2 x Magnet sensor
<b>Position Feedback :</b>	N : None T : Analog Transmitter (4...20mA)
<b>Electrical Connections :</b>	P : PF 1/2 N : NPT 1/2 M : M20 x 1.5
<b>Mounting Accessory :</b>	N : None C : Mounting Coupling

## Dimensions



## Applications



< Angle Seat Valve >